

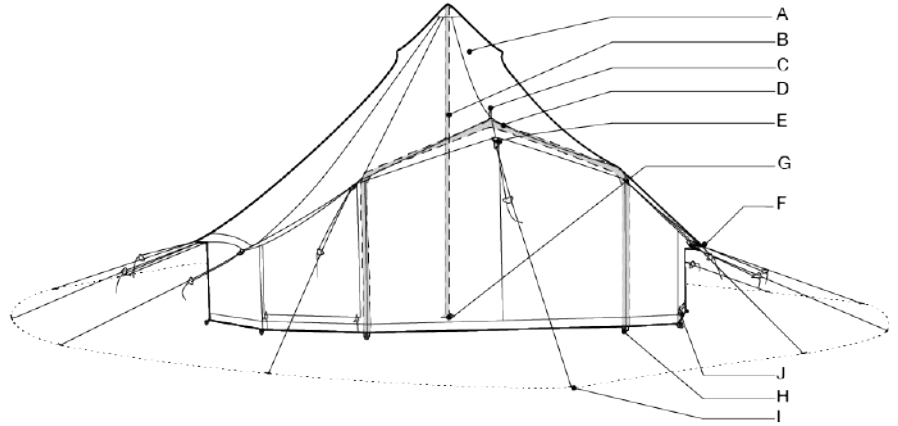
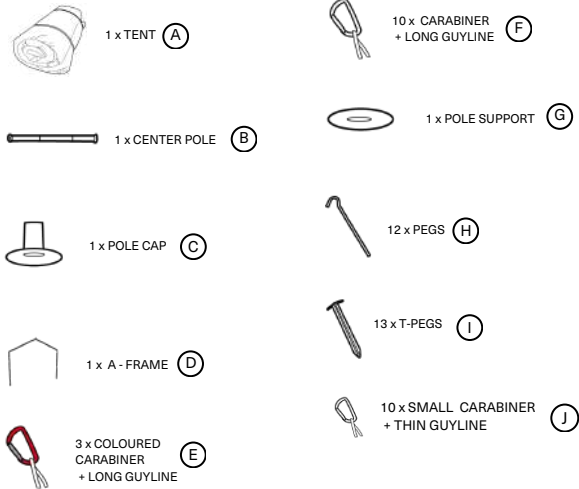


AUTENTIC

SETUP INSTRUCTIONS

JACK BELL 5.2/JAY BELL 4.4

PACKING LIST



PLEASE READ THIS CAREFULLY BEFORE YOU START THE SETUP OF YOUR TENT



We advise not to use the tent in extreme weather conditions.



If your tent is made of a cotton based canvas, make sure to wet the entire tent before first use and let it dry completely to ensure its waterproofness.



Make sure to always close the doors and windows of your tent during heavy winds.



When breaking down the tent, always remove all guylines and store them in a separate bag to avoid colour stains on the tent fabric.



When you have dirty stains on your tent, clean the tent with water and a soft brush and only use cleaning & retreatment products suited for the tent. Don't use a high-pressure cleaner, soap, or aggressive detergents as they can damage the tent's materials and shorten its lifespan.



If there are protective rings surrounding your frame, remove them to avoid staining and damaging the fabric.



We do not recommend starting a fire in or around the tent. When heating the tent, always make sure to take proper safety measures.



Do not make cuts, holes, openings or other alternations to the tent fabric to ensure the tent and fabric's performance.

*Autentic is in no case liable for any damage arising or caused by the product being used or set up contrary to the instructions or used for any purpose other than its intended use.

Always read the latest version of the manual with this QR code



Make sure to read the additional tips for maintenance and usage on [autentic.world](https://www.autentic.world)





AUTENTIC

GENERAL SETUP TIPS

Alternative Anchor Points

Autentic tents come with pegs as the standard solution for anchoring the groundsheet and guylines. Depending on the surface where the tent is pitched on, you might choose for alternative anchor points (sand anchors, concrete anchors, ...). Which ever anchors you decide to use, make sure they are heavy-duty and can hold down the heavy tension of the guylines. Below is our suggestion for the most common set-up: on a wooden platform.

Wooden Platform

If you are pitching the tent on a platform, you can use heavy duty screws and washers as an alternative anchor point. Make sure the platform is thick enough to hold the screws under tension.



OPTIONAL ACCESSORIES

Your tent is compatible with the following accessories to enhance your tent setup. Ask your Autentic reseller or contact Autentic directly to know more.



SHORT GUY POLES

- Reduce the distance between the tent and the ropes' anchor points
- Give a tighter setup



INNER LINER

- Regulates temperature
- Blocks morning light
- Dampens sound
- Adds a cozy touch



BELL TENT AWNING

- Expands outdoor area by 17 sqm
- Provides protection from rain and sun



TECHNICAL WINDOW PANEL

- Allows for HVAC access and routing
- Ensures tidy cable management



CENTER POLE PLATE

- Improves stability on soft undergrounds (sand, grass, etc)
- Protects the groundsheet



SHOCK ABSORBERS

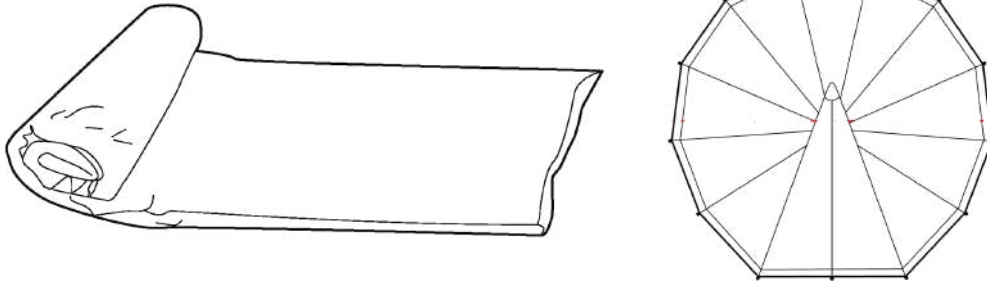
- Minimize the impact of heavy winds



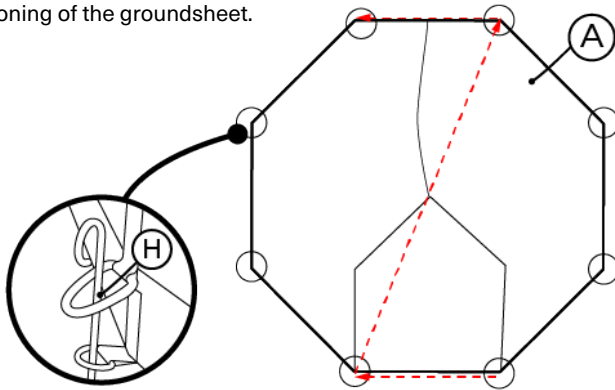
AUTENTIC

SETUP INSTRUCTIONS

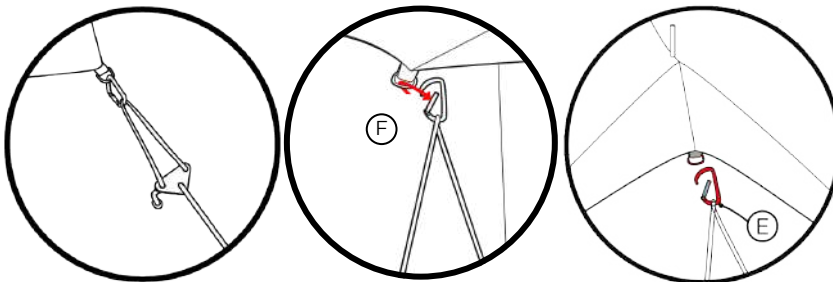
- 1** Completely unfold the tent and spread it out in the desired position.



- 2** Make sure all zips are closed. Place all tent pegs (H), starting with the two door pegs and continue with the opposite side. Ensure perfect tensioning of the groundsheet.

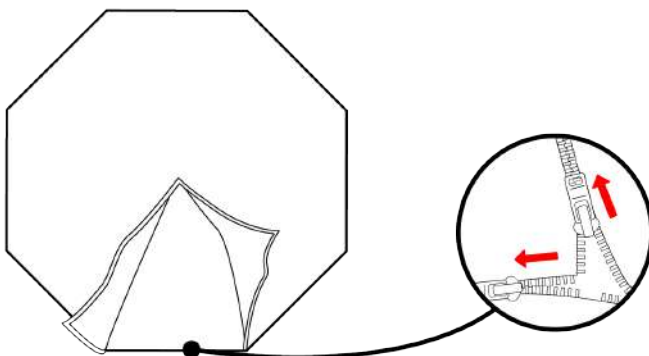


- 3** Attach all guylines on the tent. The guylines with orange carabiners (E) go on the 3 guypoints on top of the door. The guylines with the champagne colored carabiners (F) on the guypoints of the walls. Make sure the guylines are attached to the tent as shown below.



! Make sure to use the large ropes and carabiners (E & F) instead of the small ones for the windows. (J)

- 4** Open the door.

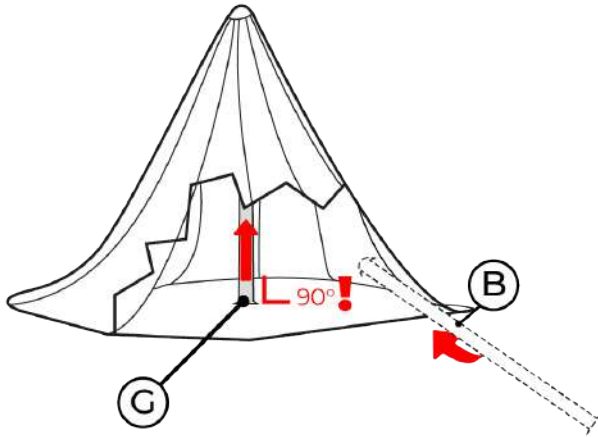




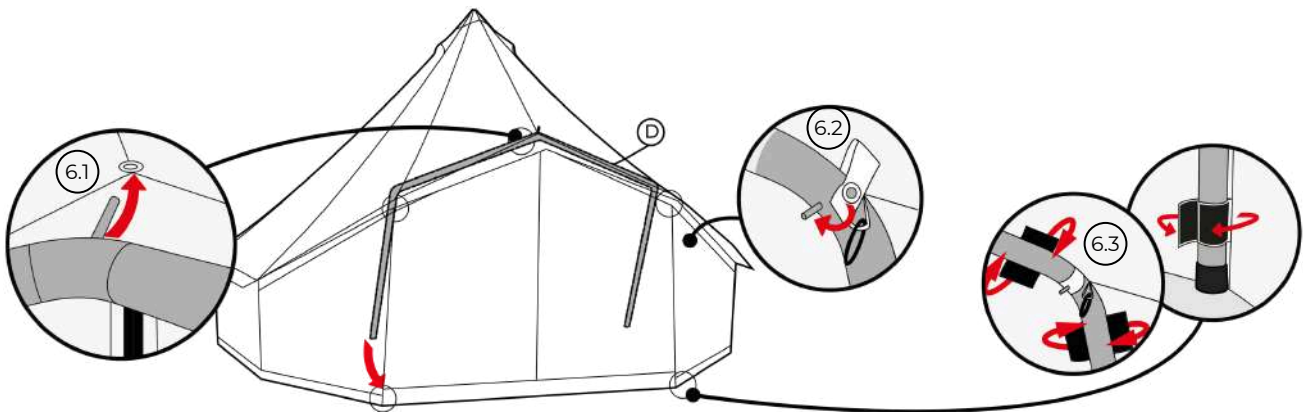
AUTENTIC

SETUP INSTRUCTIONS

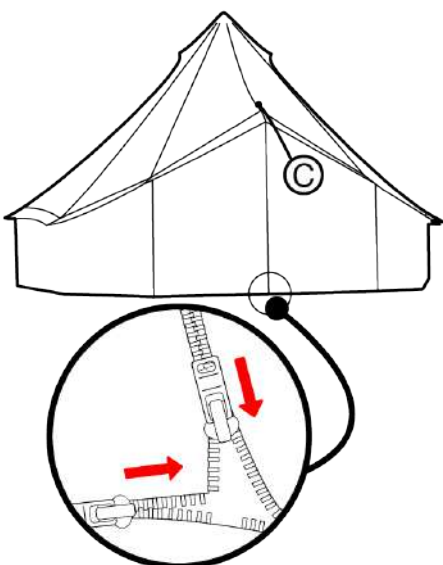
- 5** Assemble the centerpole outside the tent. Insert the center pole (B) and place the pole support (G) to protect the groundsheet. Keep the pole as vertical as possible for optimal wind performance.



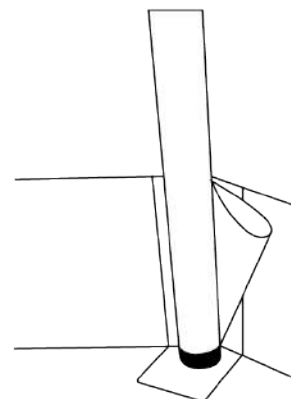
- 6** Start with assembling the A-frame (D) inside the tent. If there are protective rings surrounding your frame, remove them to avoid staining and damaging the fabric. Insert the top pin of the A-frame (D) in the eyelet on top of the door. (6.1) While the frame is half-way up, pull the strap over the 2 pins in the corner of the A-frame (6.2). Now fully erect the A-frame and finish by closing all velcro straps around the A-frame. (6.3)



- 7** Close the door. Place the pole cap (C).



! Make sure the A-frame's legs are placed in the corner of the reinforced patch on the groundsheet.

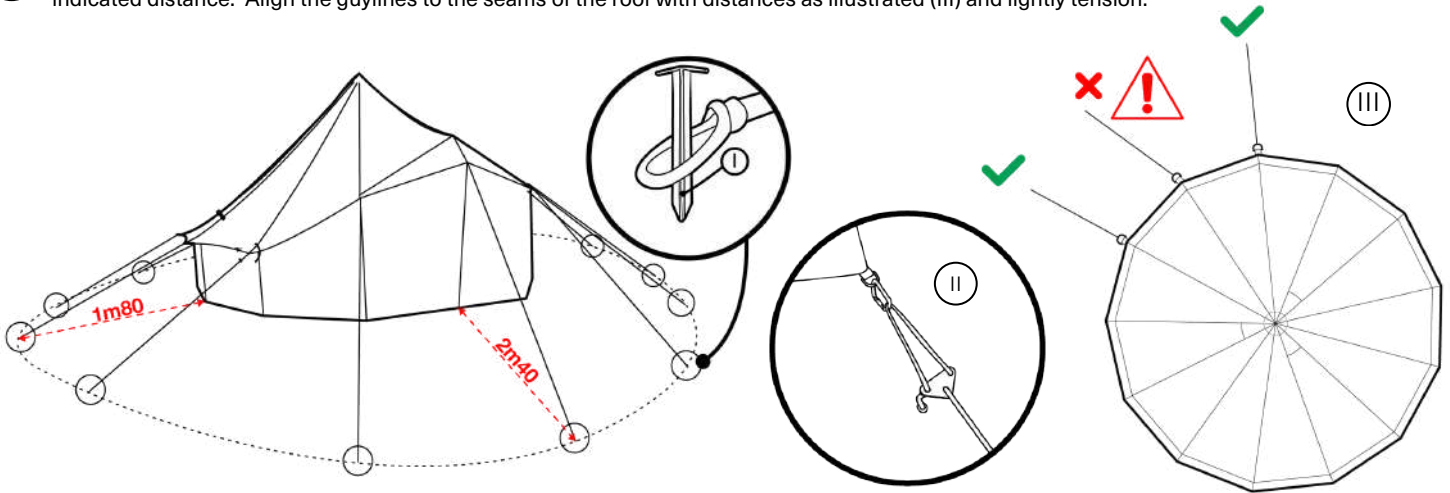




AUTENTIC

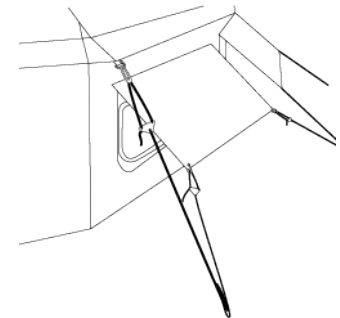
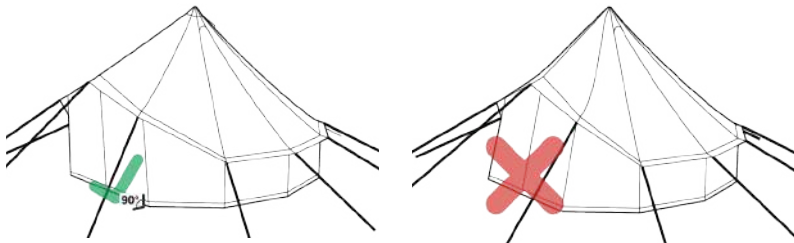
SETUP INSTRUCTIONS

8 Make sure the guylines are attached to the tent as shown below (II) Peg down all the guylines using the T-pegs (I) and respect the indicated distance. Align the guylines to the seams of the roof with distances as illustrated (III) and lightly tension.

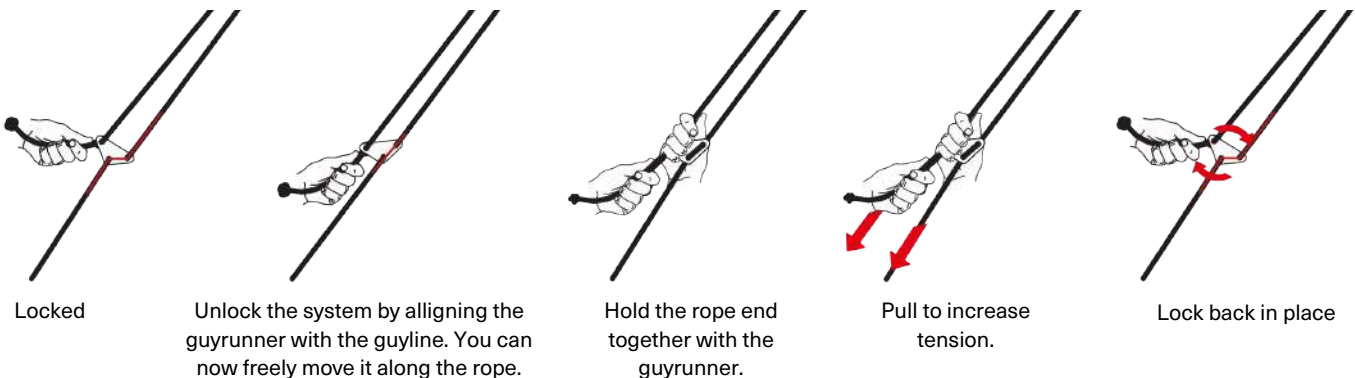


9 Once all guylines are installed with light tension, proceed to firmly tension all the guylines. First make sure that the door is fully vertical. If there is too much tension on 1 side, remove tension from that side and add tension to the other side. Now firmly tension the guylines on the walls following the same principle.

10 Optional - Install the small guylines (J) on the windows to allow ventilation but preventing rain from entering the tent.



How to tension guylines



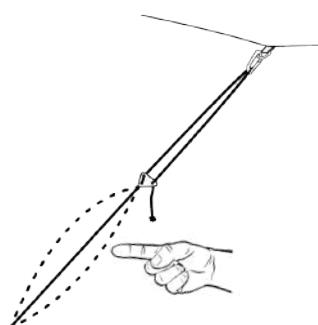
Locked

Unlock the system by aligning the guyrunner with the guylines. You can now freely move it along the rope.

Hold the rope end together with the guyrunner.

Pull to increase tension.

Lock back in place



The tension should be firm enough so the roof of the tent does not appear as "baggy". Don't over tension the tent either. When tapping the guylines with your finger, you should be able to slightly move it with little effort.

Regularly check the tension on the guylines. Especially before and after there is heavy weather forecasted.



Take additional safety measures in case of heavy winds and blasts. If your tent is set up with short guy poles on a wooden platform, attach the poles to the platform. If you can't attach the short guy poles or if the tent is set up on a grass surface, remove the short guy poles and place the pegs (I) at distances as indicated. Ensure perfect tensioning of the guylines.



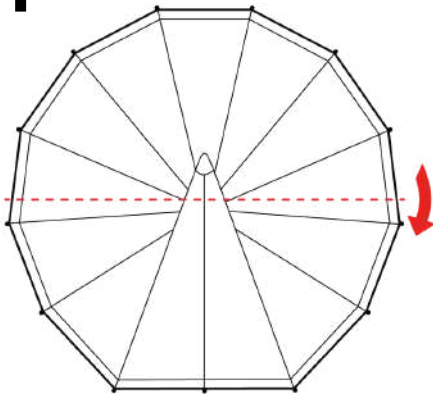
AUTENTIC

FOLDING INSTRUCTIONS

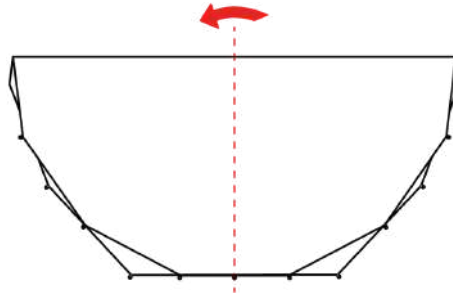
Make sure your tent is completely dry and clean before folding to prevent mould.

When breaking down the tent, always remove all guylines and store them in a separate bag to avoid colour stains on the tent fabric.

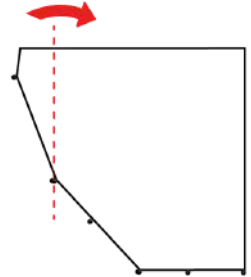
1



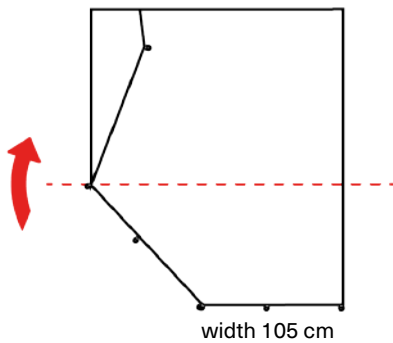
2



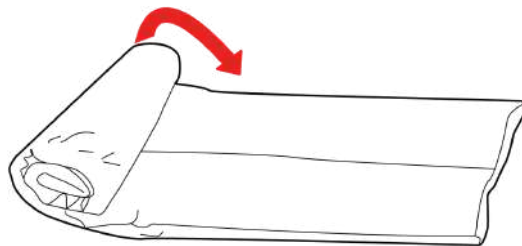
3



4



5



6



Ø 34 cm x 105 cm

Always read the latest version of the manual with this QR code



Make sure to read the additional tips for maintenance and usage on autentic.world

