






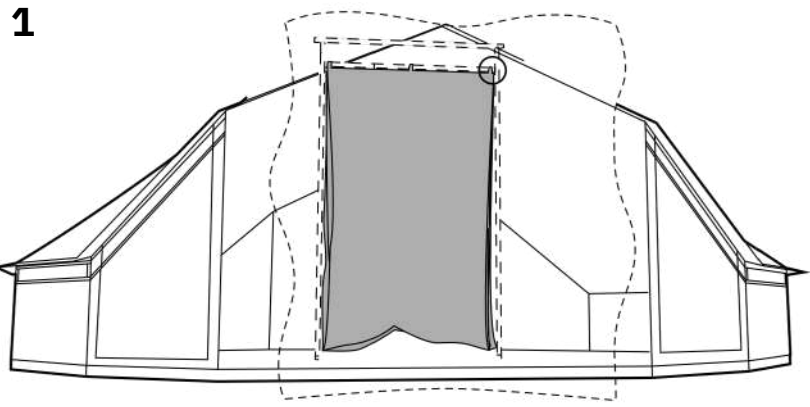
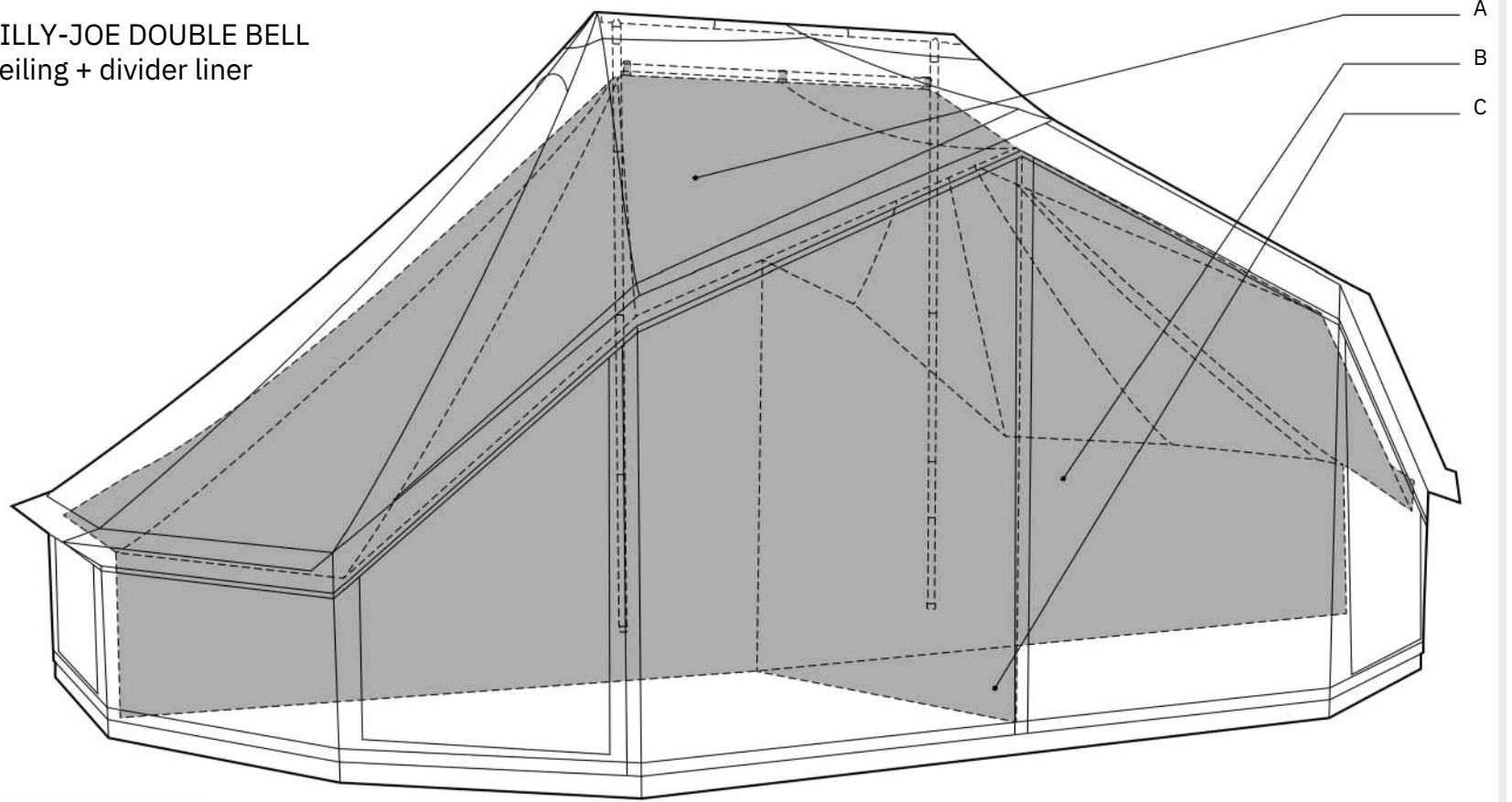
PACKING LIST

-  (A) 1x CEILING
-  (B) 2x DIVIDER LEFT - RIGHT
-  (C) 2x DIVIDER FRONT - BACK

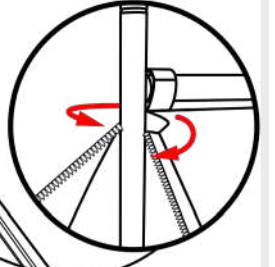
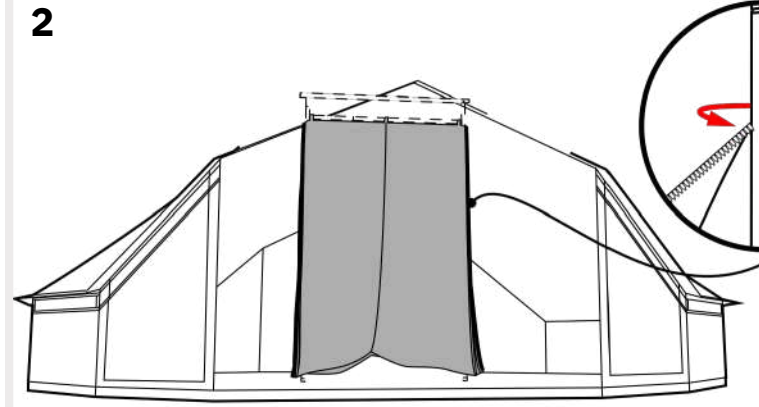
TAKE IT



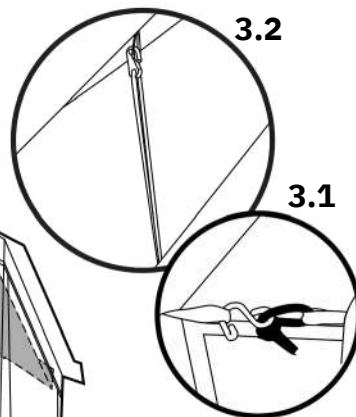
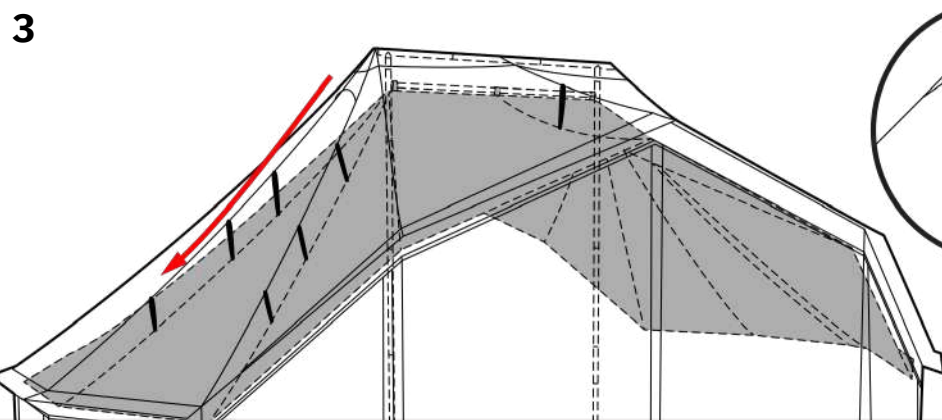
BILLY-JOE DOUBLE BELL
Ceiling + divider liner



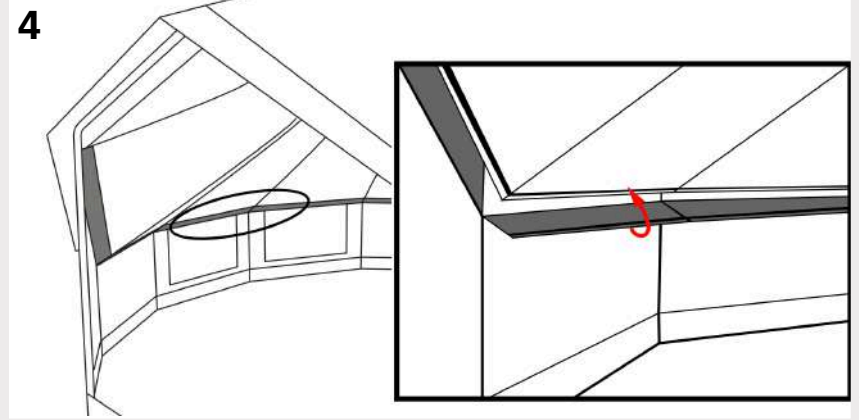
Attach the three Velcro patches to the lower horizontal bar of the center frame.



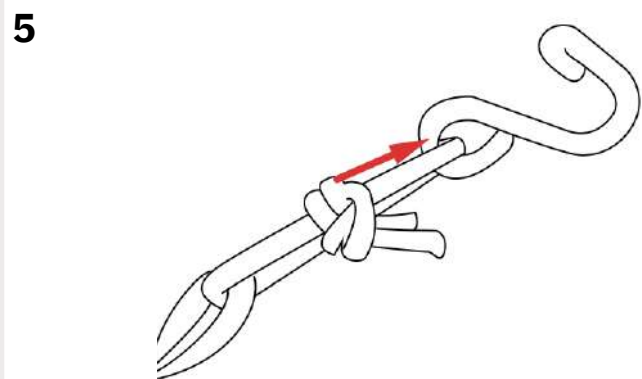
Open the zippers and wrap the ceiling around the two center poles.



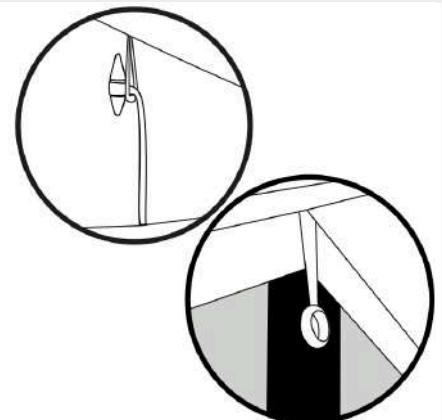
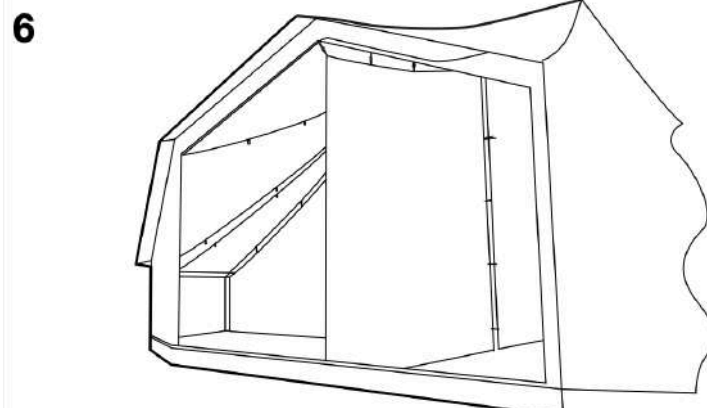
Attach the hooks the on the seam between the roof and the walls (3.1). If your tent is equipped with loops on the seam lines of the ceiling, attach all the hooks of the inner liner into the loops of the roof (3.2). If your tent doesn't have loops on the ceiling, skip this step.



Attach the Velcro of the ventilation covers onto the Velcro line of the inner liner.



Is the Inner liner too loose? Adjust the length of the elastic at the knot.



OPTION: Attach the dividers to the inner liner.

