



AUTENTIC

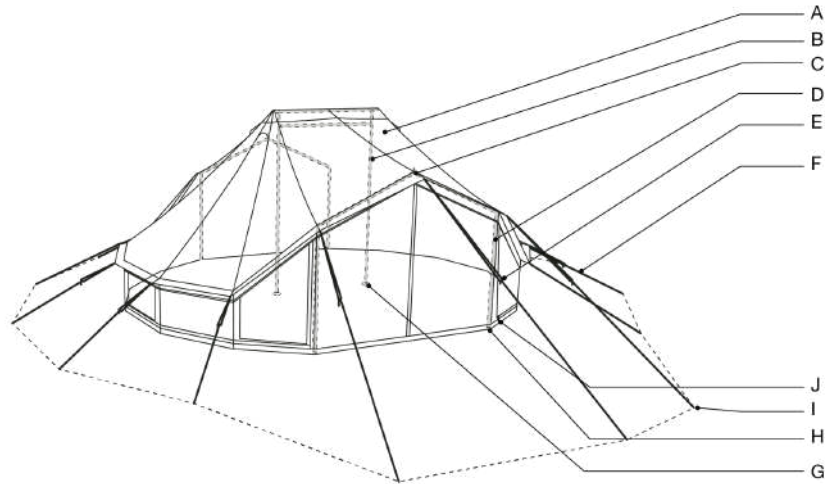
# SETUP INSTRUCTIONS

## BILLY-JOE DOUBLE BELL 7.2

### PACKING LIST



- 1 x TENT (A)
- 10 x CARABINER + LONG GUYLINE (F)
- 1 x CENTER POLE FRAME (B)
- 2 x POLE SUPPORT (G)
- 2 x POLE CAP (C)
- 14 x PEGS (H)
- 2 x A - FRAME (D)
- 16 x T-PEGS (I)
- 6 x COLOURED CARABINER + LONG GUYLINE (E)
- 16 x SMALL CARABINER + THIN GUYLINE (J)



### PLEASE READ THIS CAREFULLY BEFORE YOU START THE SETUP OF YOUR TENT

- We advise not to use the tent in extreme weather conditions.
- If your tent is made of a cotton based canvas, make sure to wet the entire tent before first use and let it dry completely to ensure its waterproofness.
- Make sure to always close the doors and windows of your tent during heavy winds.
- When breaking down the tent, always remove all guylines and store them in a separate bag to avoid colour stains on the tent fabric.
- When you have dirty stains on your tent, clean the tent with water and a soft brush and only use cleaning & retreatment products suited for the tent. Don't use a high-pressure cleaner, soap, or aggressive detergents as they can damage the tent's materials and shorten its lifespan.
- If there are protective rings surrounding your frame, remove them to avoid staining and damaging the fabric.
- We do not recommend starting a fire in or around the tent. When heating the tent, always make sure to take proper safety measures.
- Do not make cuts, holes, openings or other alternations to the tent fabric to ensure the tent and fabric's performance.

\*Autentic is in no case liable for any damage arising or caused by the product being used or set up contrary to the instructions or used for any purpose other than its intended use.

Always read the latest version of the manual with this QR code



Make sure to read the additional tips for maintenance and usage on [autentic.world](https://autentic.world)





**AUTENTIC**

## GENERAL SETUP TIPS

### Alternative Anchor Points

Autentic tents come with pegs as the standard solution for anchoring the groundsheet and guylines. Depending on the surface where the tent is pitched on, you might choose for alternative anchor points (sand anchors, concrete anchors, ...). Which ever anchors you decide to use, make sure they are heavy-duty and can hold down the heavy tension of the guylines. Below is our suggestion for the most common set-up: on a wooden platform.

#### Wooden Platform

If you are pitching the tent on a platform, you can use heavy duty screws and washers as an alternative anchor point. Make sure the platform is thick enough to hold the screws under tension.



## OPTIONAL ACCESSORIES

Your tent is compatible with the following accessories to enhance your tent setup. Ask your Autentic reseller or contact Autentic directly to know more.



#### SHORT GUY POLES

- Reduce the distance between the tent and the ropes' anchor points
- Give a tighter setup



#### INNER LINER

- Regulates temperature
- Blocks morning light
- Dampens sound
- Adds a cozy touch



#### BELL TENT AWNING

- Expands outdoor area by 17 sqm
- Provides protection from rain and sun



#### TECHNICAL WINDOW PANEL

- Allows for HVAC access and routing
- Ensures tidy cable management



#### CENTER POLE PLATE

- Improves stability on soft pitching surfaces (sand, grass, etc)
- Protects the groundsheet



#### SHOCK ABSORBERS

- Minimize the impact of heavy winds

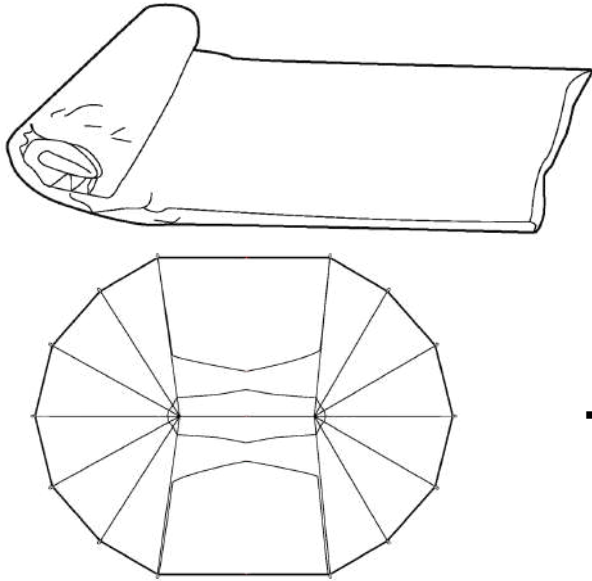


**AUTENTIC**

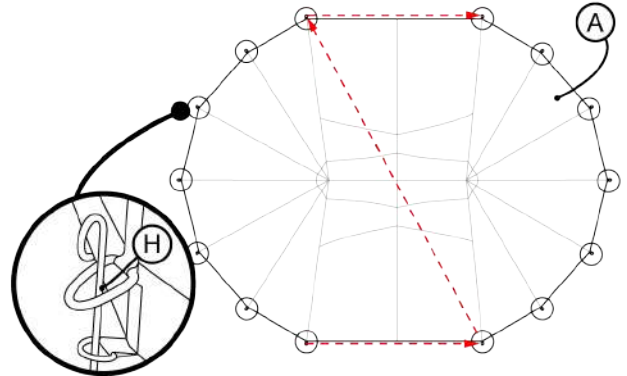
# SETUP INSTRUCTIONS

## Phase 1: Groundsheet & Preparation

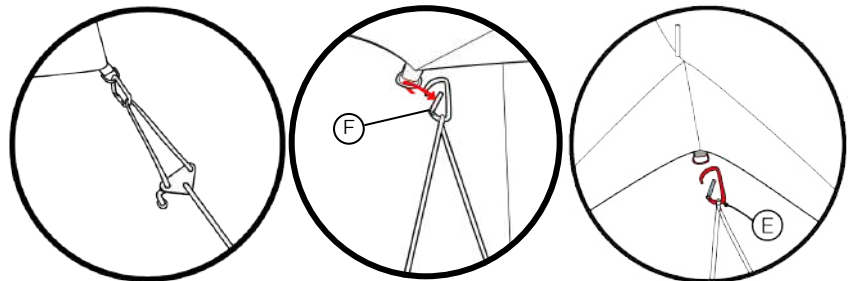
**1.1** Completely unfold the tent (A) and spread it out in the desired position.



**1.2** Make sure all zips are closed. Place all pegs (H). Start at the door and continue diagonally. Ensure perfect tensioning of the groundsheet.



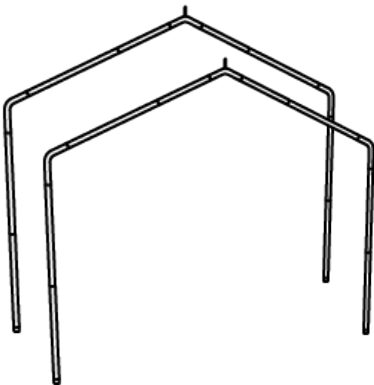
**1.3** Attach all guylines on the tent. The guylines with orange carabiners (E) go on the 3 guypoints on top of each door. The guylines with the champagne colored carabiners (F) on the guypoints of the walls. Make sure the guylines are attached to the tent as shown below



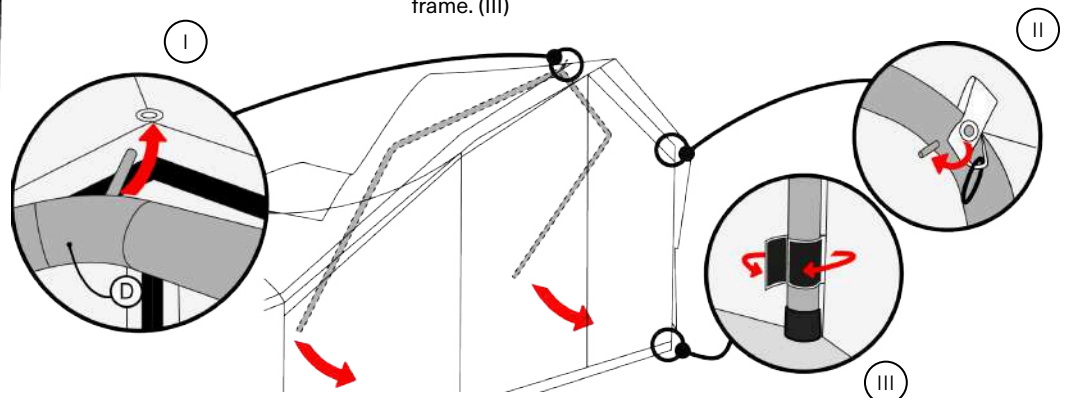
! Make sure to use the large ropes and carabiners (E & F) instead of the small ones for the windows. (J)

## Phase 2: A-frame doors

**2.1** Assemble the 2 A-Frames (D) outside of the tent. Open the zippers of the tent door. Enter the tent with 1 A-Frame (D). Enter with the A-frame's legs first and with the top pointing outside.



**2.2** Insert the top pin of the A-frame (D) in the eyelet on top of the door. (I) While the frame is half-way up, pull the strap over the 2 pins in the corner of the A-frame (II). Now fully erect the A-frame and finish by closing all velcro straps around the A-frame. (III)

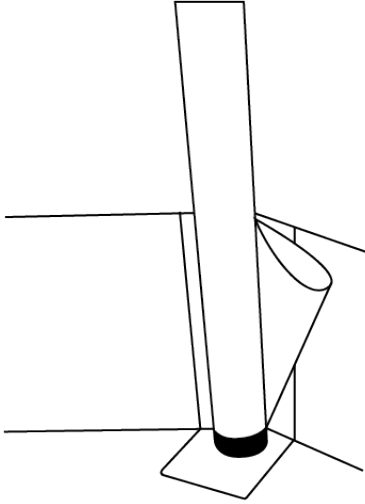




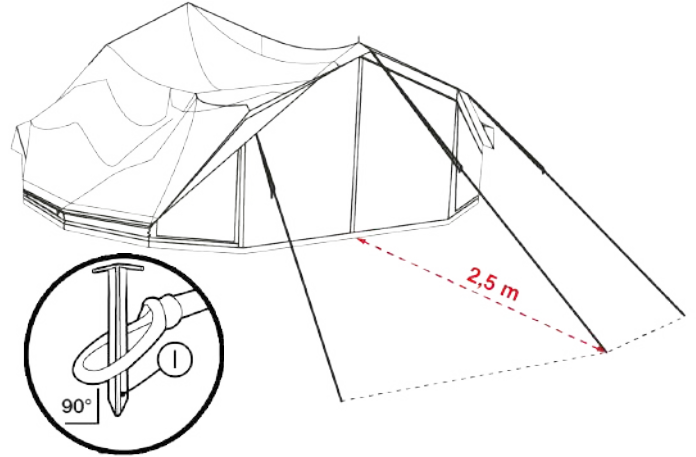
**AUTENTIC**

## SETUP INSTRUCTIONS

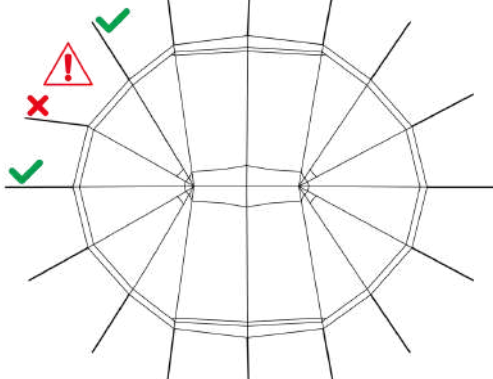
**2.3** ! Make sure the A-frame's legs are placed in the corner of the reinforced patch on the groundsheet.



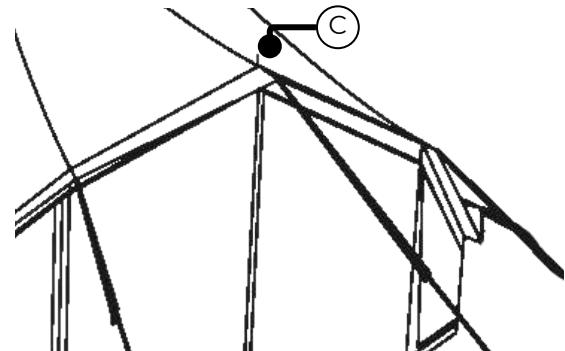
**2.4** While 2 people are inside the tent holding the A-frame, peg down the guylines with orange carabiners (E) using the pegs (I) and tension them lightly.



**2.5** Make sure to align the guylines with the seams of the roof and respect the distance mentioned in step 2.4

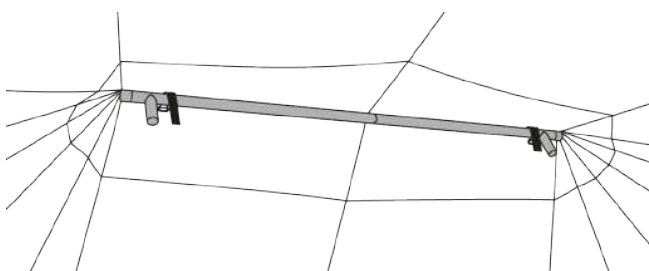


**2.6** Place the rubber pole cap (C) on the top pin of the A-frame (D) and repeat the entire process for the second door.



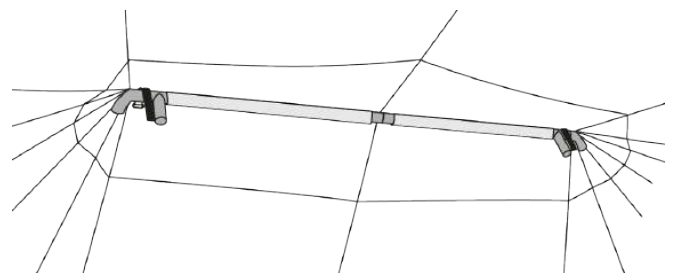
## Phase 3: Center frame

Go inside the tent and look for the reinforced center patch of the ceiling. Check which of the 2 below options your tent has and follow the corresponding option.



### Option 1

No sleeves in the center of the ceiling.



### Option 2

Sleeves in the center of the ceiling.

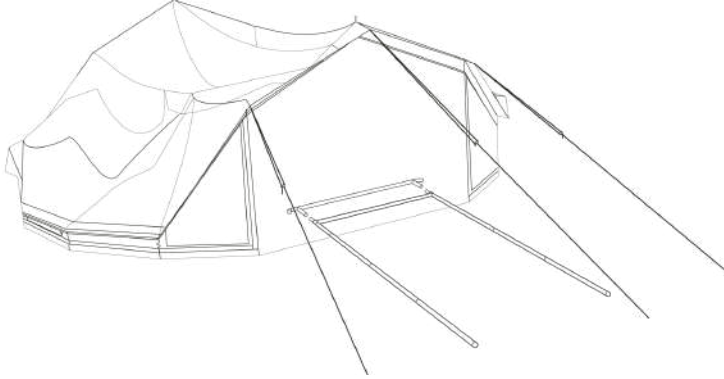


**AUTENTIC**

# SETUP INSTRUCTIONS

## Center frame option 1

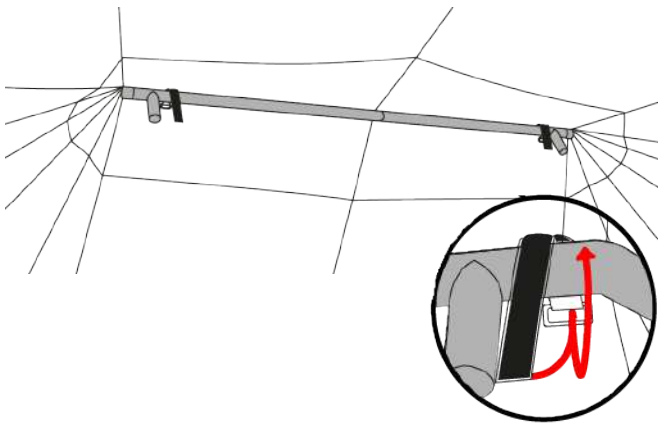
**3.1** Assemble the center pole frame (B) on the floor inside of the tent. Keep the top bar separate from the bottom part.



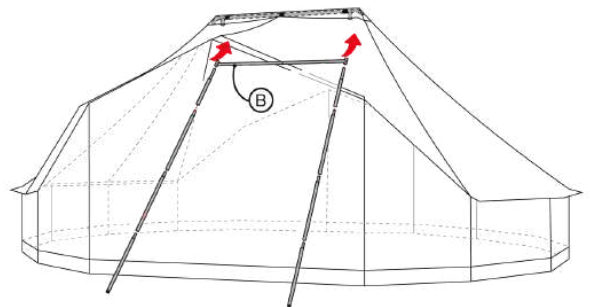
**3.2** IF you have a separate set of bended H-frame extensions, remove the pole ends from the center frame and install the extensions.



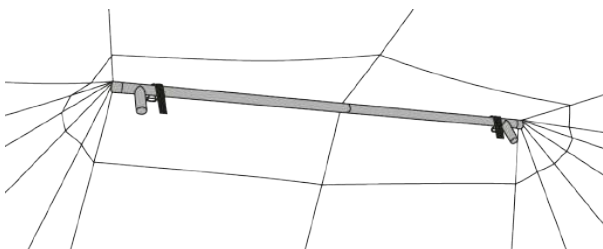
**3.3** Attach the upper part of the center pole frame (B) to the ceiling of the tent with the velcro straps.



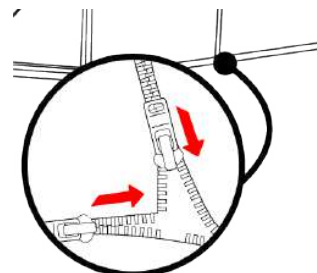
**3.4** Lift up the bottom part of the frame and connect the top horizontal bar to the bottom part of the frame. Now fully erect the frame. Keep the poles as vertical as possible for optimal wind performance. Place the pole supports (G) to protect the groundsheet.



**3.5** If the bar is off center, put the frame partially down and adjust the frame by pulling the legs until centered.



**3.6** Exit the tent and close all zippers.



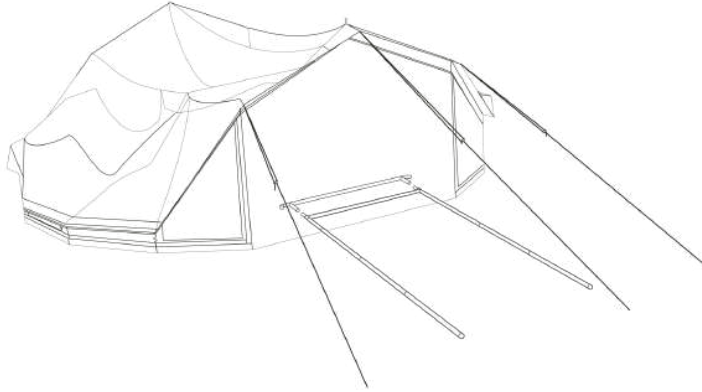


**AUTENTIC**

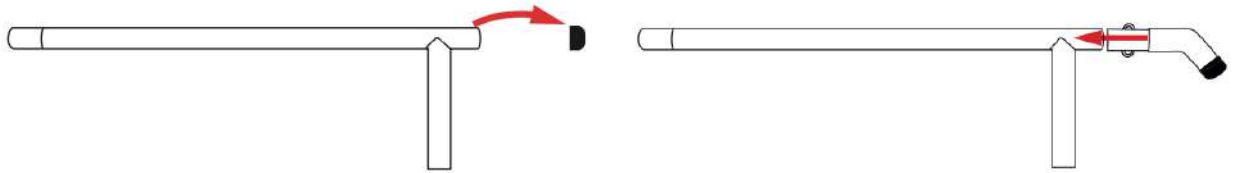
# SETUP INSTRUCTIONS

## Center frame option 2

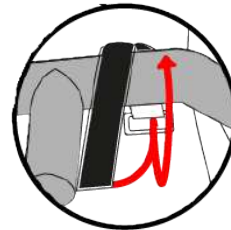
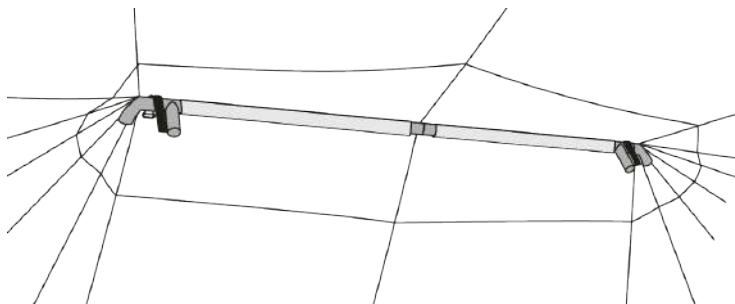
**3.1** Assemble the center pole frame (B) on the floor inside of the tent. Keep the top bar separate from the bottom part.



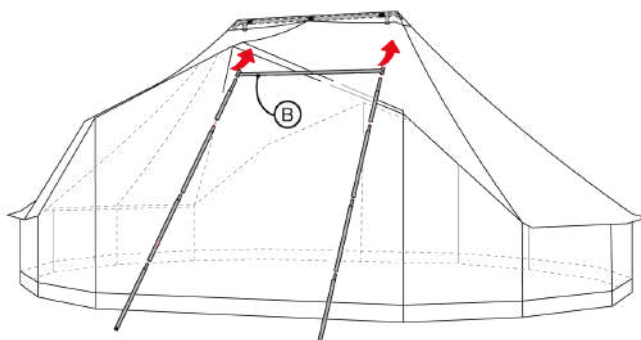
**3.2** IF you have a separate set of bended H-frame extensions, remove the pole ends from the center frame and install the extensions.



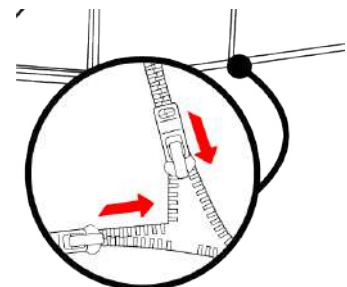
**3.3** Insert the top bar into the pole sleeves and connect the 2 pieces together in the center. Attach the velcro straps.



**3.4** Lift up the bottom part of the frame and connect the top horizontal bar to the bottom part of the frame. Now fully erect the frame. Keep the poles as vertical as possible for optimal wind performance.



**3.5** Exit the tent and close all zippers.



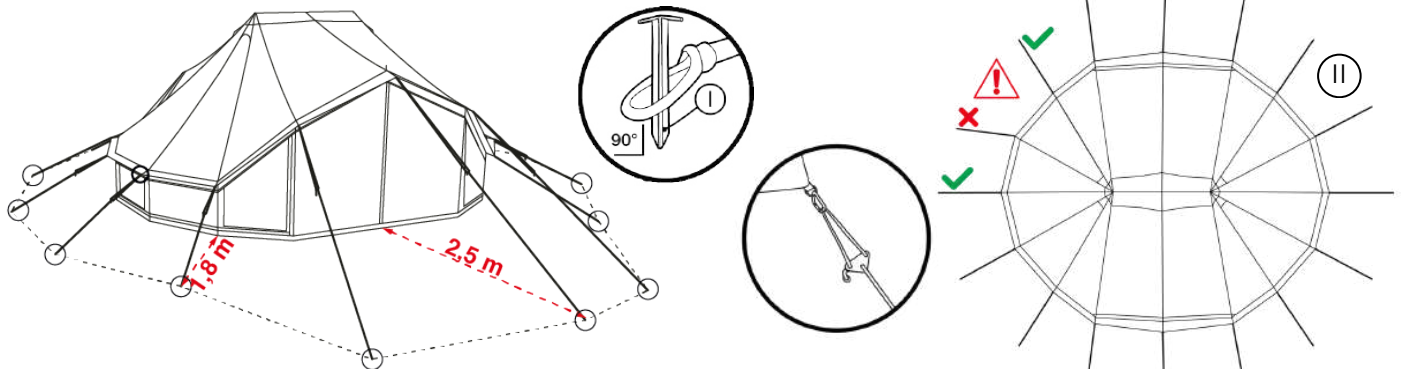


**AUTENTIC**

# SETUP INSTRUCTIONS

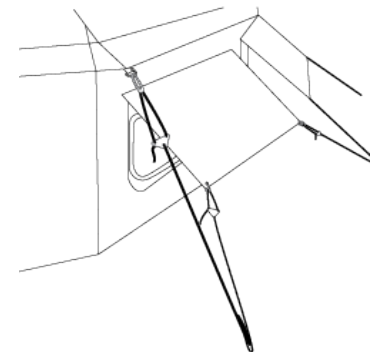
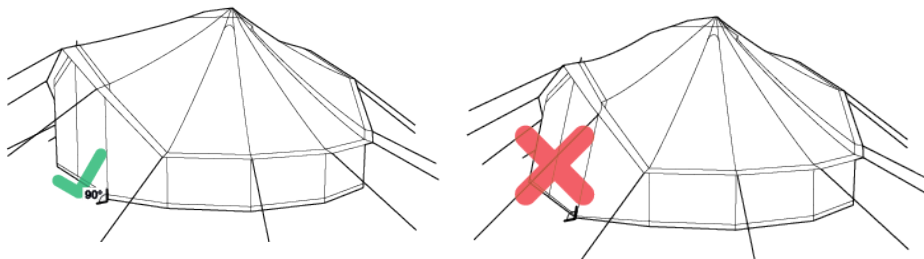
## Phase 4: guylines & tension

**4.1** Peg down all the remaining guylines (F) using the T-pegs (I). Make sure to respect the indicated distances. Align the guylines to the seams of the roof with distances as illustrated (II) and lightly tension.

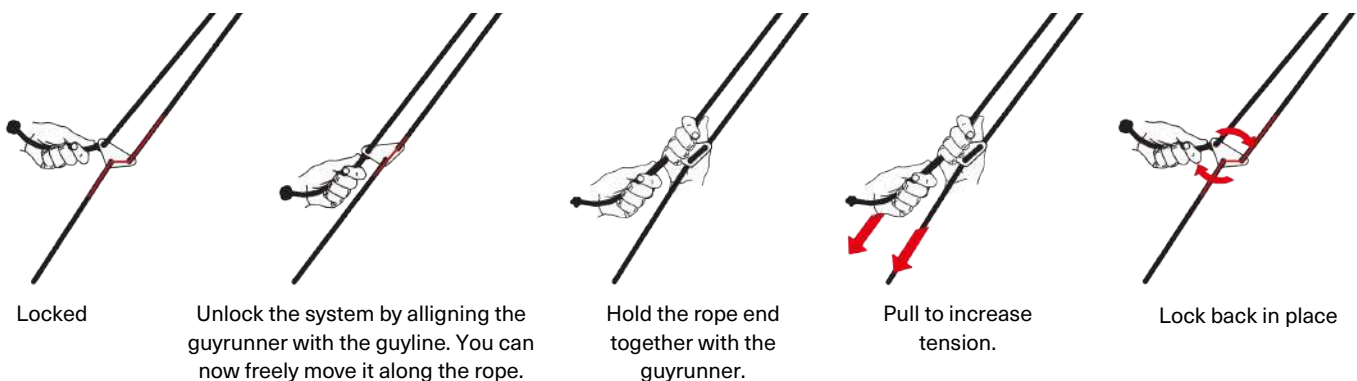


**4.2** Once all guylines are installed, gradually proceed to firmly tension all the guylines. First make sure that both doors are fully vertical. If there is too much tension on 1 side, remove tension from that door side and add tension to the other door side. Now firmly tension the guylines on the walls following the same principle.

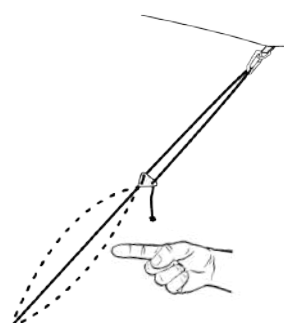
**4.3** Optional - Install the small guylines (J) on the windows to allow ventilation but preventing rain from entering the tent.



## How to tension guylines



Take additional safety measures in case of heavy winds and blasts. If your tent is set up with short guy poles on a wooden platform, attach the poles to the platform. If you can't attach the short guy poles or if the tent is set up on a grass surface, remove the short guy poles and place the pegs (I) at distances as indicated. Ensure perfect tensioning of the guylines.



The tension should be firm enough so the roof of the tent does not appear as "baggy". Don't over tension the tent either. When tapping the guyline with your finger, you should be able to slightly move it with little effort.

Regularly check the tension on the guylines. Especially before and after there is heavy weather forecasted.

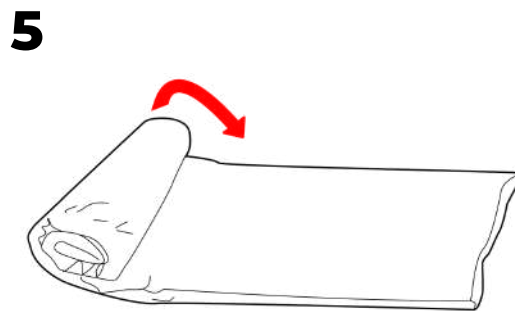
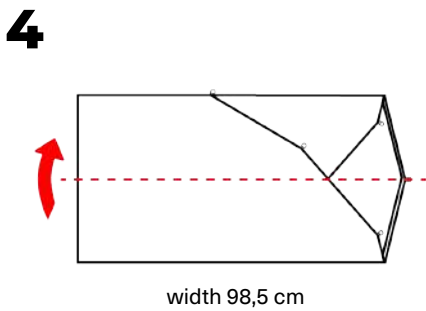
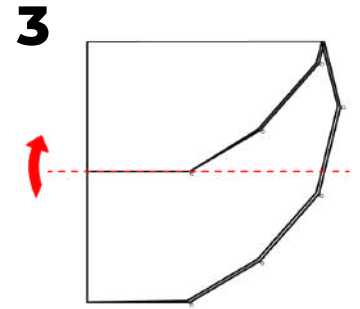
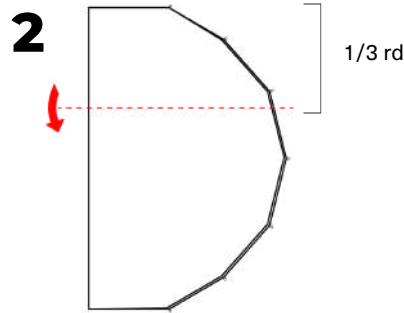
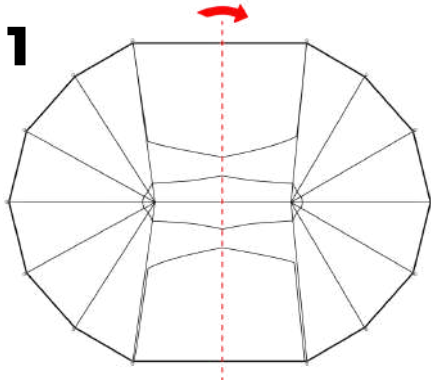


**AUTENTIC**

# FOLDING INSTRUCTIONS

Make sure your tent is completely dry and clean before folding to prevent mould.

When breaking down the tent, always remove all guylines and store them in a separate bag to avoid colour stains on the tent fabric.



Always read the latest version of the manual with this QR code



Make sure to read the additional tips for maintenance and usage on [autentic.world](https://autentic.world)

