



**AUTENTIC**

# SETUP INSTRUCTIONS

## AWNING

### PACKING LIST



1 X AWNING (A)



13 x GUYLINES 755 cm  
2 x GUYLINES 300 cm (B)



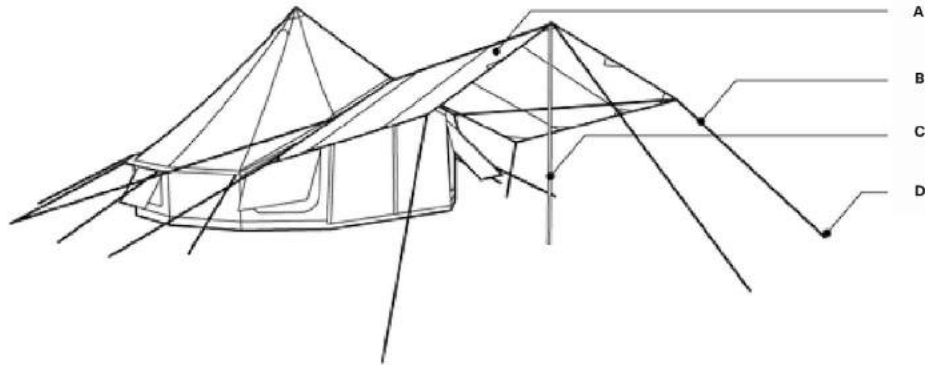
3 x POLES (C)



9 x T-PEGS (D)



15 mins



### PLEASE READ THIS CAREFULLY BEFORE YOU START THE SETUP OF YOUR AWNING



We advise not to use the awning in extreme weather conditions.



If your awning is made of a cotton based canvas, make sure to wet the entire awning before first use and let it dry completely to ensure its waterproofness.



When breaking down the awning, always remove all guylines and store them in a separate bag to avoid colour stains on the awning fabric.



When you have dirty stains on your awning, clean it with water and a soft brush and only use cleaning products suited for the awning. Don't use high-pressure cleaner, soap, or aggressive detergents as they can damage the materials and shorten its lifespan.

\*Autentic is in no case liable for any damage arising or caused by the product being used or set up contrary to the instructions or used for any purpose other than its intended use.

Make sure to read the additional maintenance and use instructions on [autentic.world](https://autentic.world).

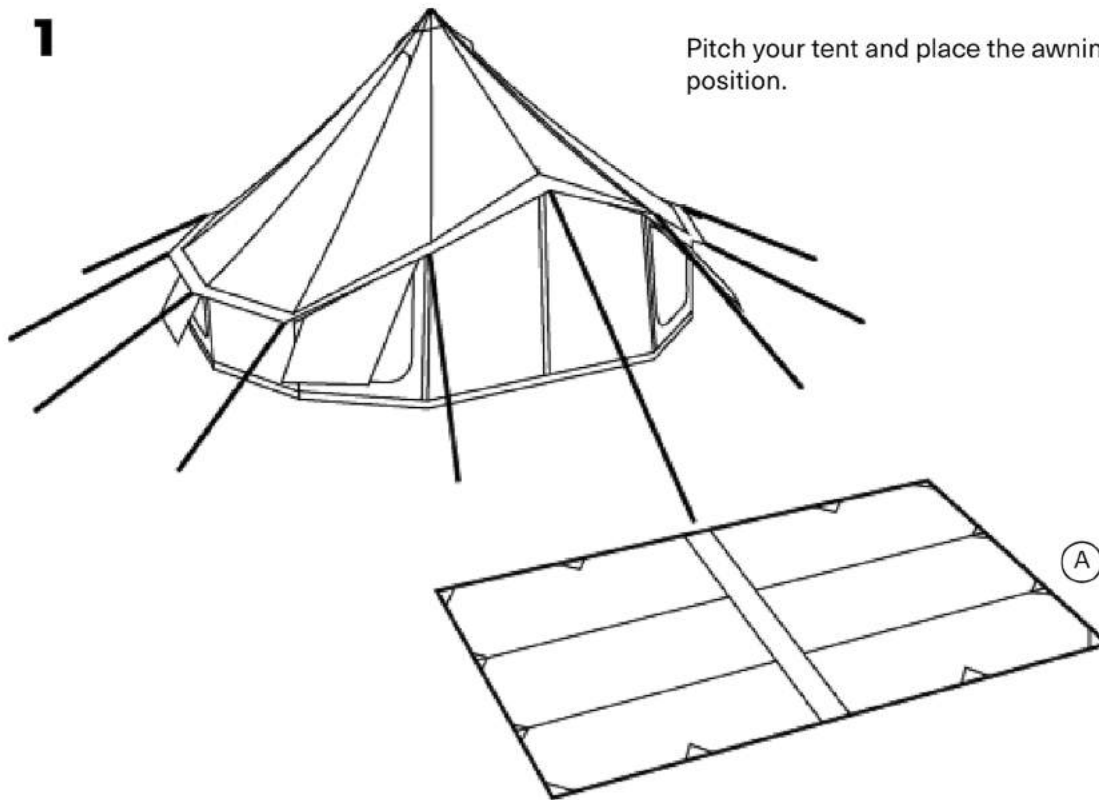




**AUTENTIC**

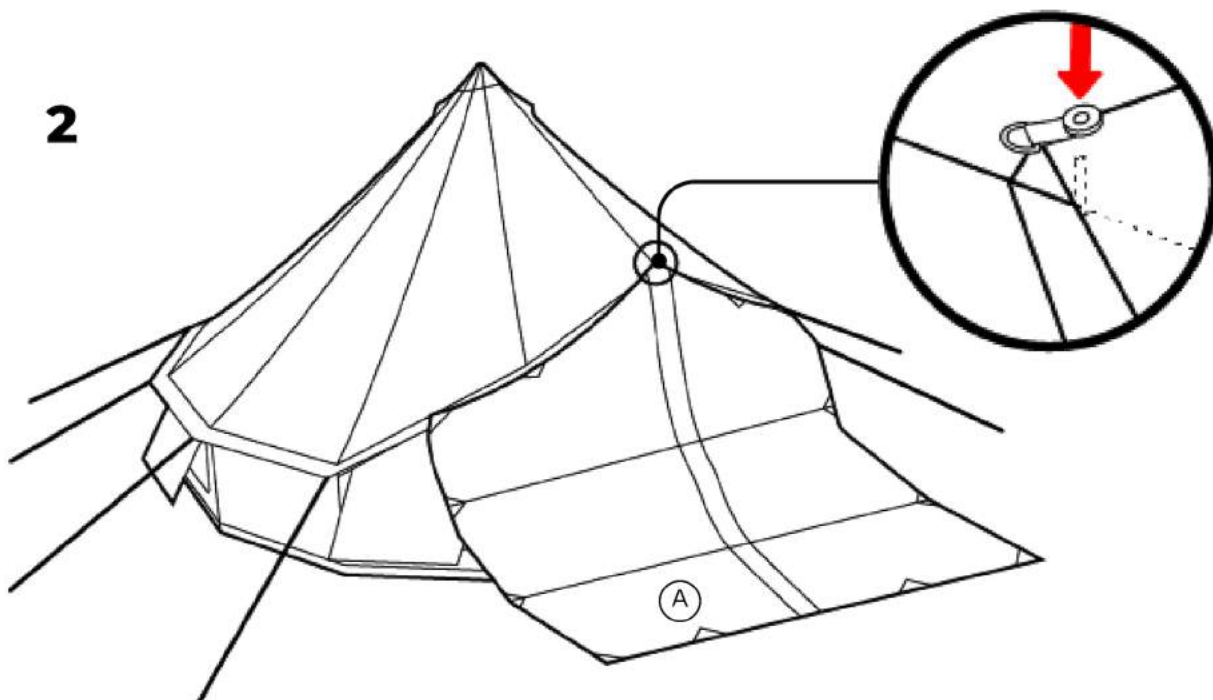
## SETUP INSTRUCTIONS

**1**



Pitch your tent and place the awning (A) in the right position.

**2**

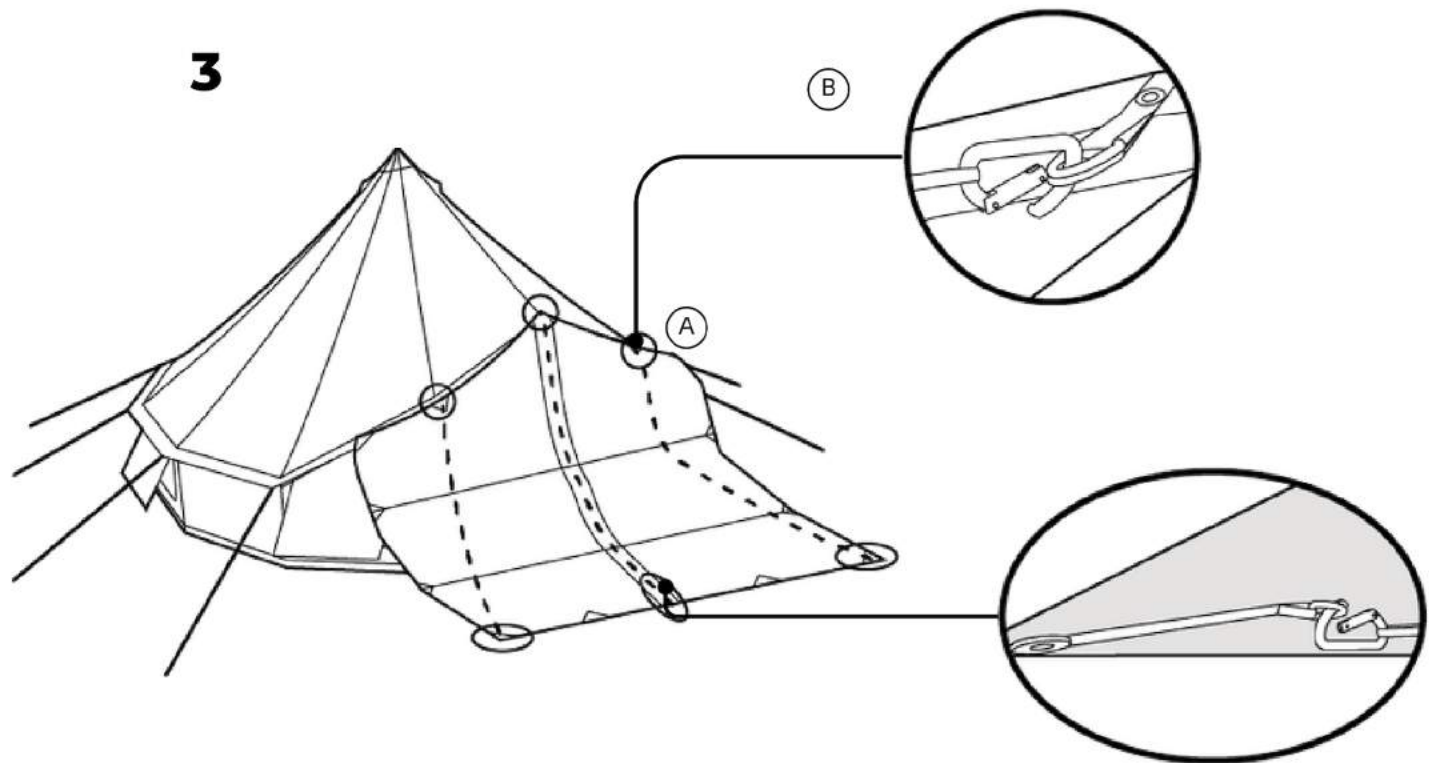


Remove the raincap of the tent frame and connect the eyelet (hole) of the awning (A) to the A-frame pin.



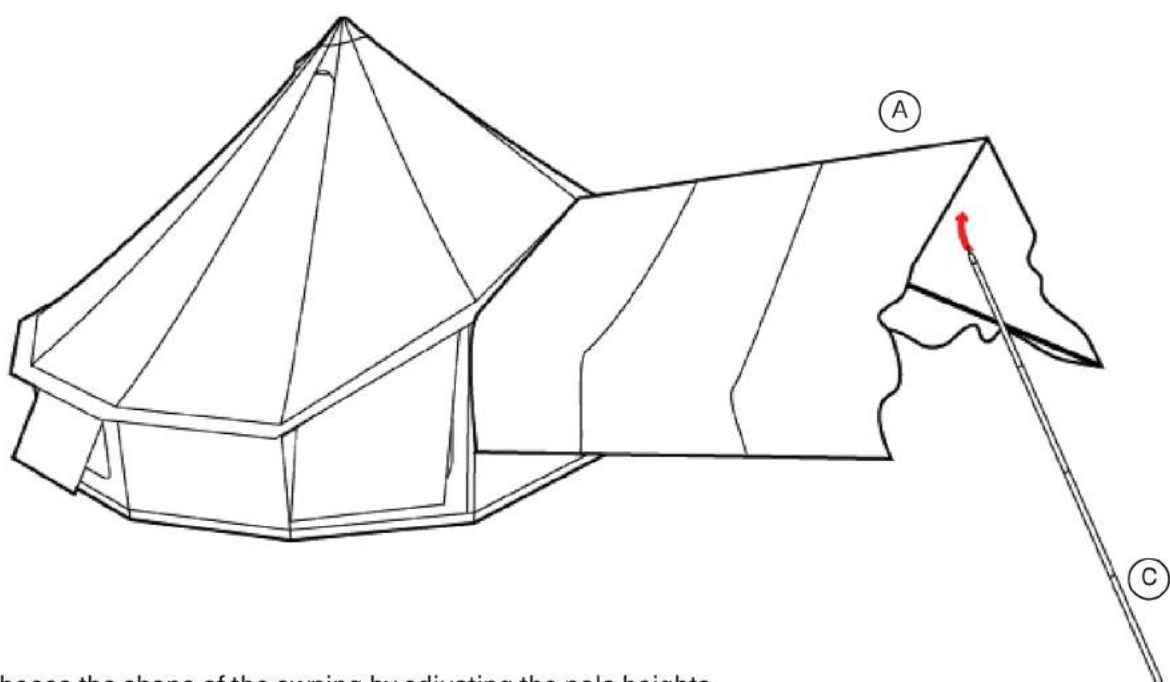
**AUTENTIC**

**3**



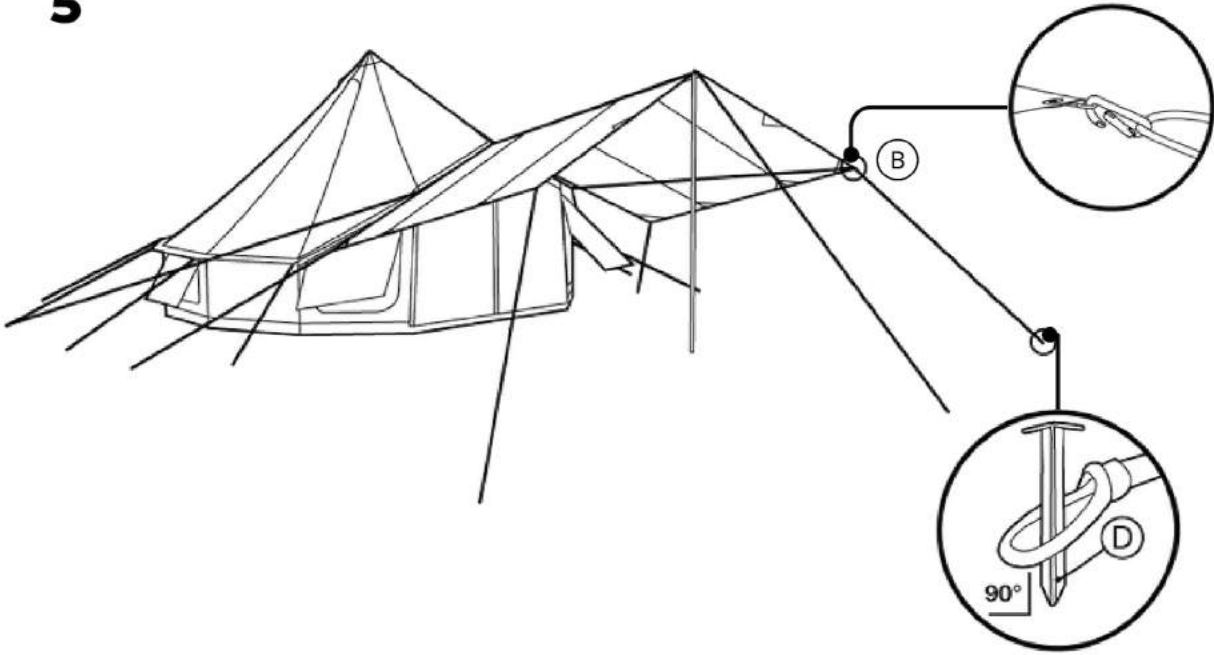
Connect the D-ring of the tent to the D-ring of the awning (A) using the carabiners (B).  
Optional: To create additional space under the awning, detach the three front guylines from the ground and affix them to the D-ring located on the opposite side of the awning. This adjustment is illustrated by the dashed line.

**4**



Choose the shape of the awning by adjusting the pole heights.

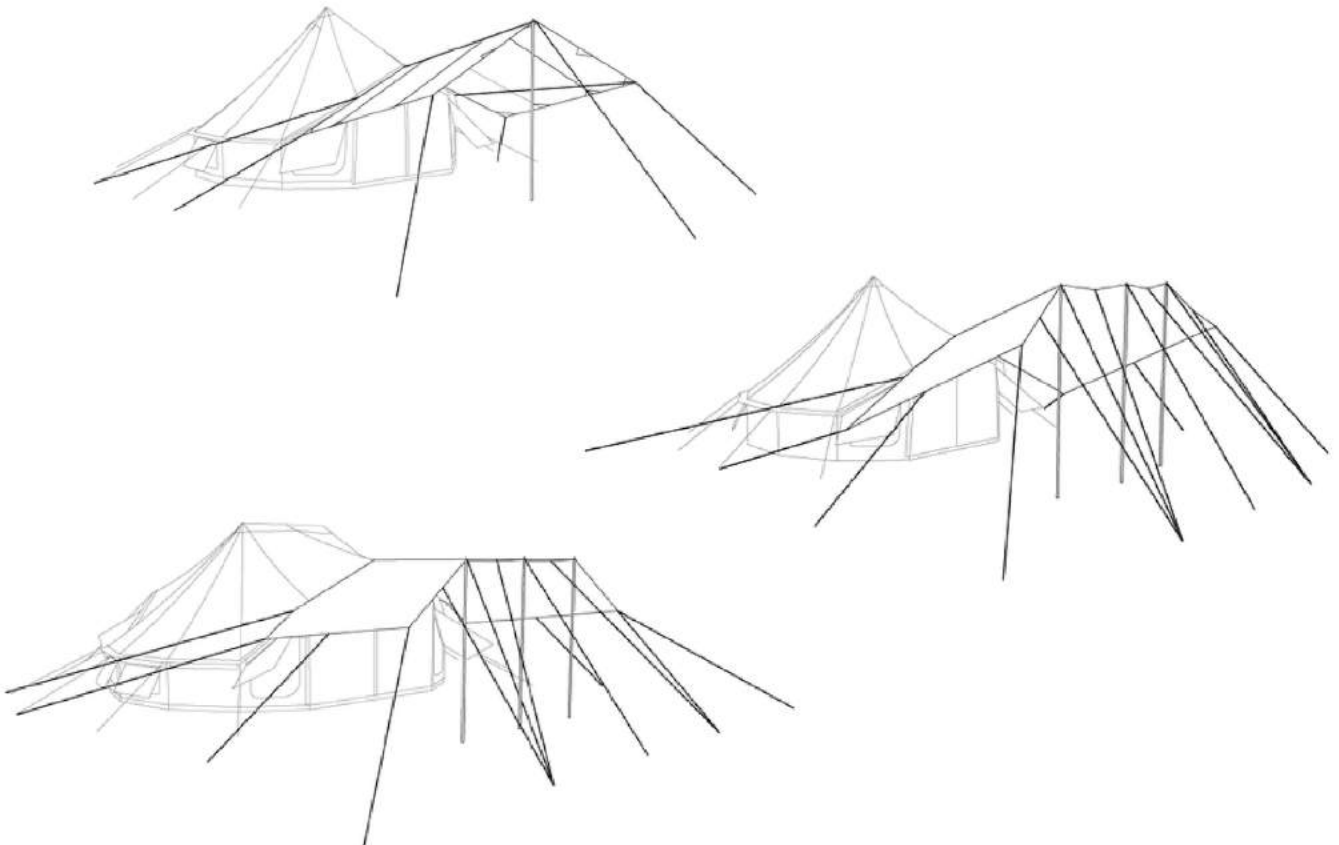
**5**



Attach the guylines (B) and pitch the awning using the T-pegs (D) provided. Ensure to tension the guylines afterward.

### **DIFFERENT SETUPS**

Various awning configurations are available depending on the height of the pole you select.



Make sure to read the additional tips for maintenance and usage on [autentic.world](https://autentic.world)

