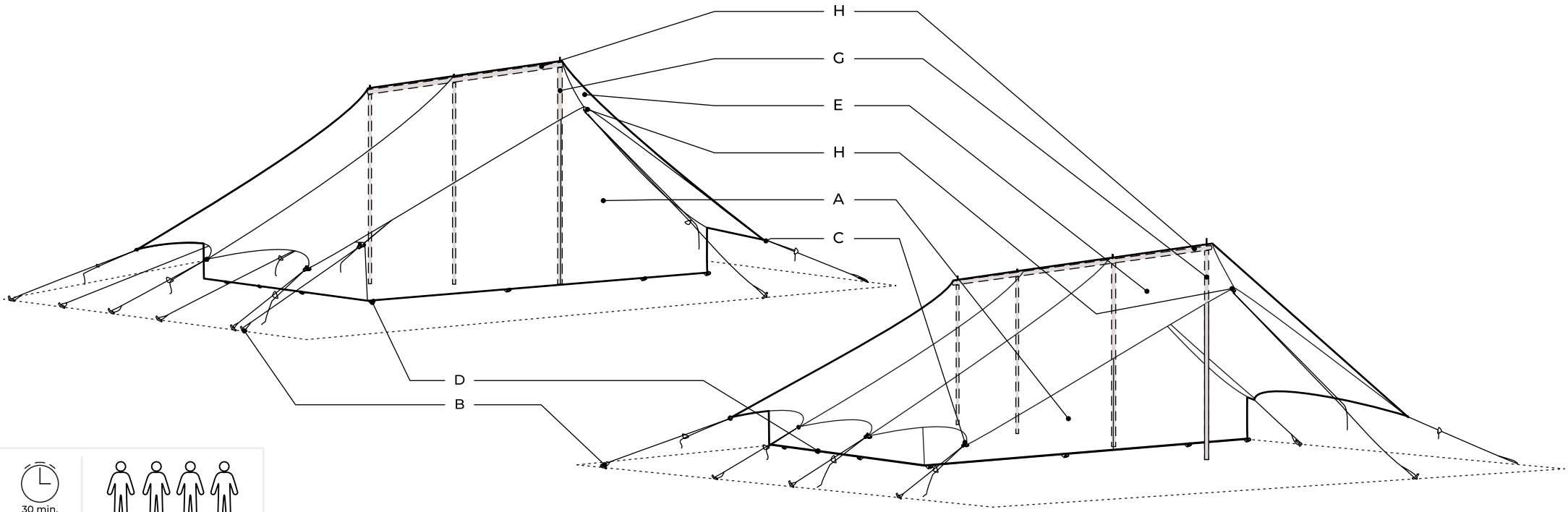


A guide to setup your Total Patrol 20, to enjoy comfort and space

	TENT	TENT + GUYLINES		TENT	TENT + GUYLINES
TOTAL PATROL 20 WITH FLY 20	4x5m	7,2x8,1m	TOTAL PATROL 20 WITH FLY 30	4x5m	9,2x8,1m



30 min.

PACKING LIST TENT BOX 1/2

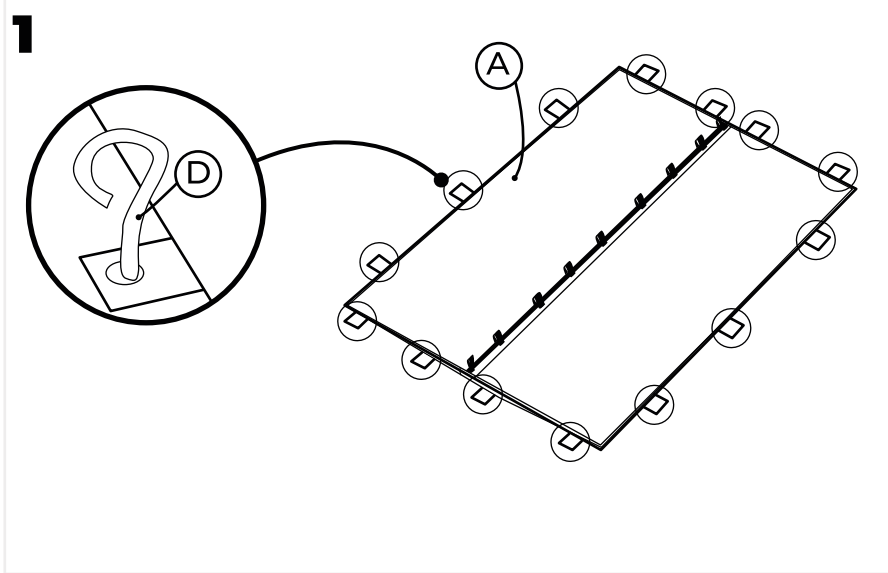
- (A) 1x TENT
- (C) 10x CARABINER + GUYLINE
- (B) 10x T-PEG
- (D) 14x PEG

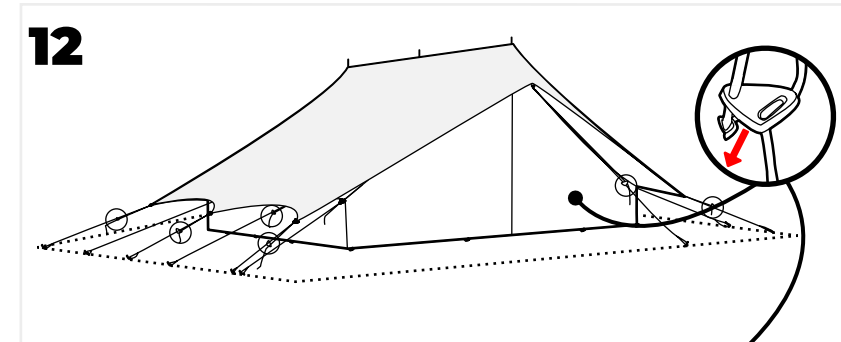
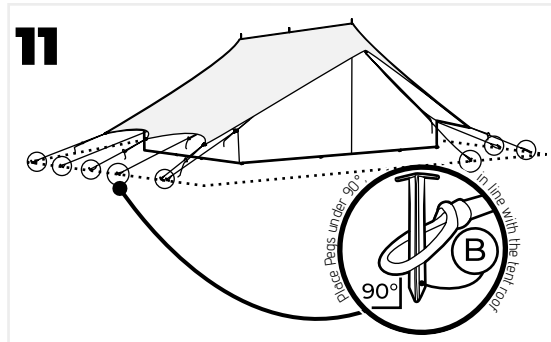
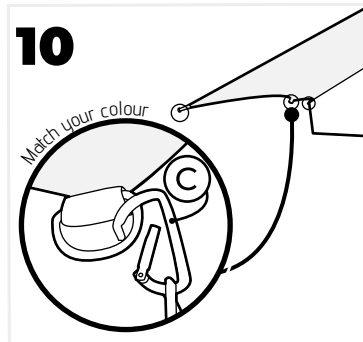
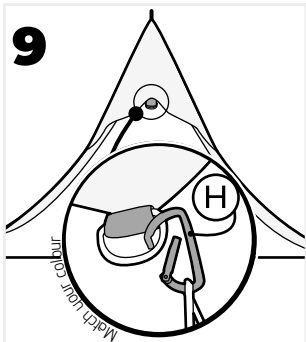
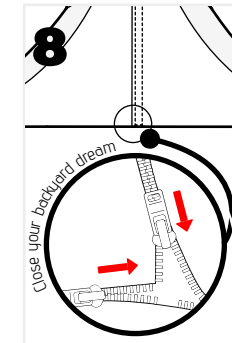
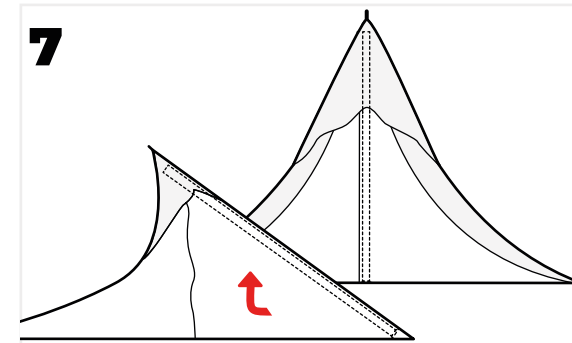
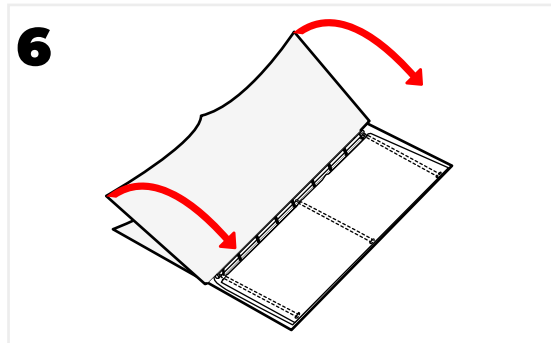
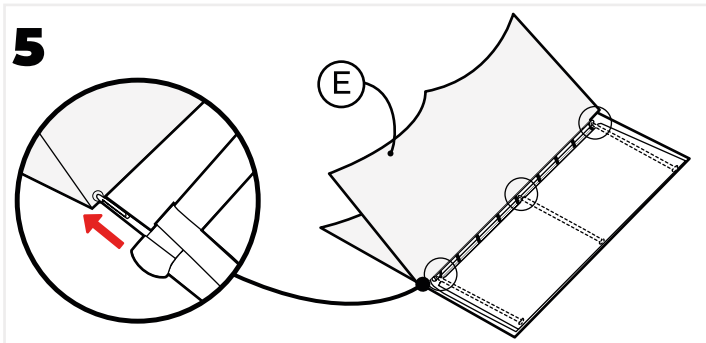
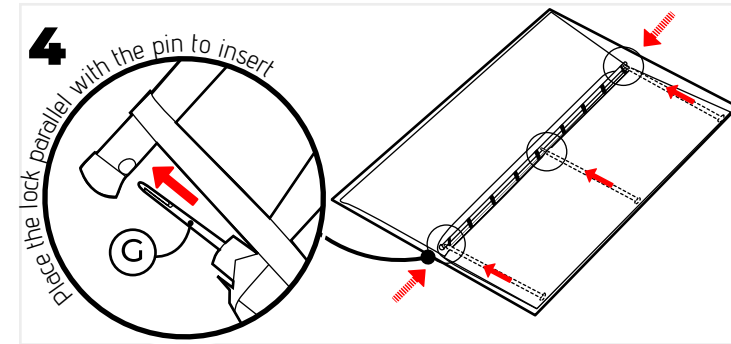
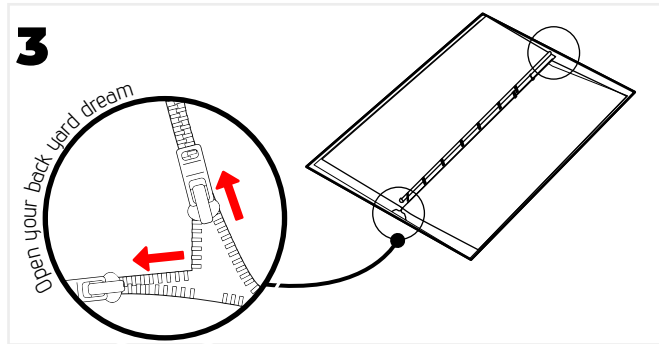
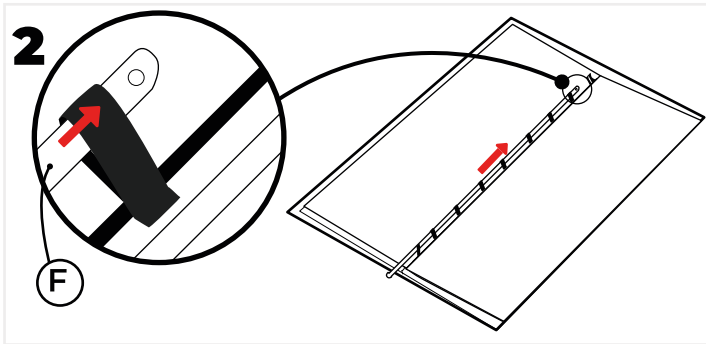
PACKING LIST FLY BOX 2/2

- (E) 1x FLY
- (F) 1x RIDGE POLE

PACKING LIST FLY BOX 2/2

- (G) CENTER POLE
- (C) 3x PATROL FLY 4x5
- (C) 4x PATROL FLY 6x5
- (B) T-PEG
- (B) 8x PATROL FLY 4x5
- (B) 10x PATROL FLY 6x5
- (C) CARABINER + GUYLINE
- (C) 6x PATROL FLY 4x5
- (C) 8x PATROL FLY 6x5
- (H) 2x COLOURED CARABINER + GUYLINE
- (I) 1x HAMMER





1 a m



AUTENTIC

HOW TO TENSION

Do not over tension the guy-ropes

They are tent ropes, no guitar strings.

It may hinder opening or closing the door.

