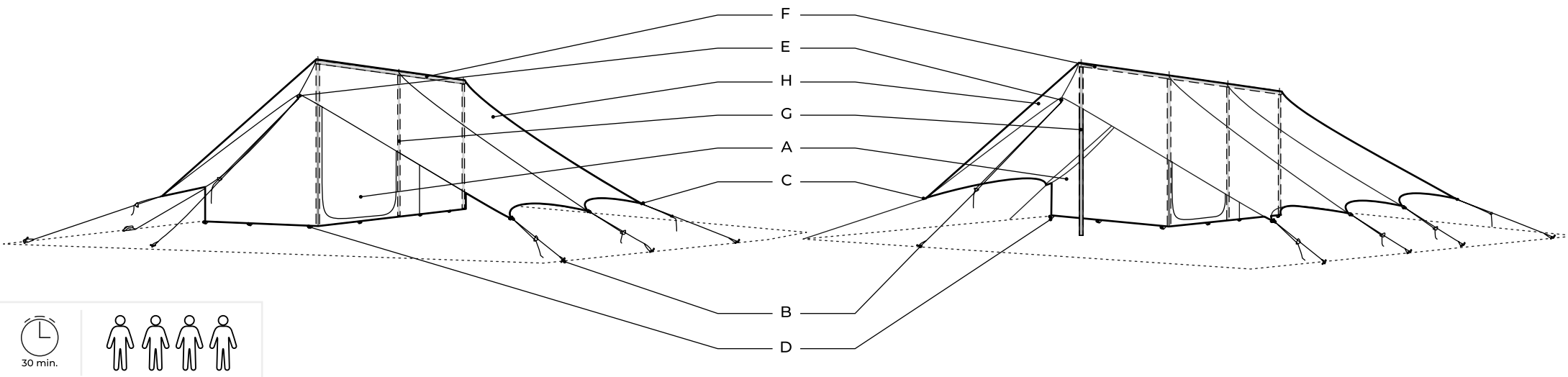


A guide to setup your Half Patrol 10, to enjoy comfort and space

HALF PATROL 10 WITH FLY 20 TENT 4x2,5m TENT + GUYLINES 7,2x8,1m

HALF PATROL 10 WITH FLY 20 TENT 4x2,5m TENT + GUYLINES 9,2x8,1m



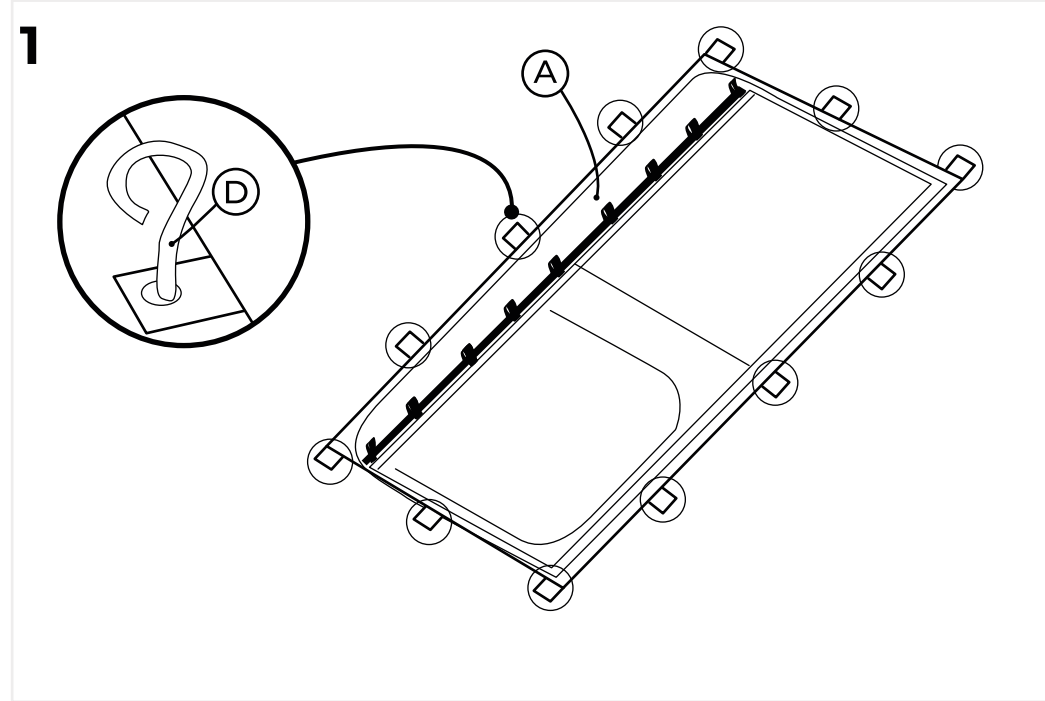
30 min.

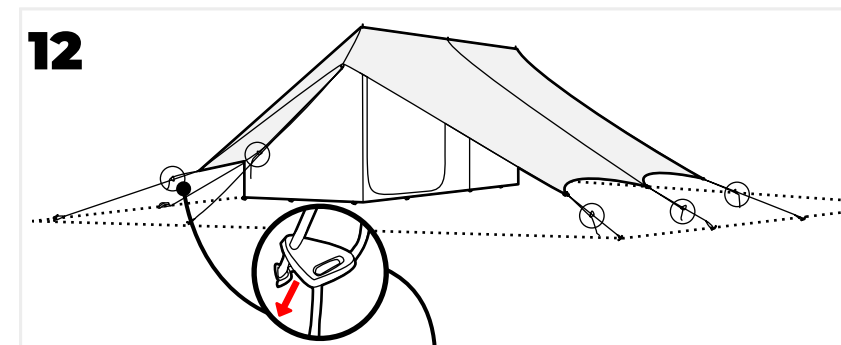
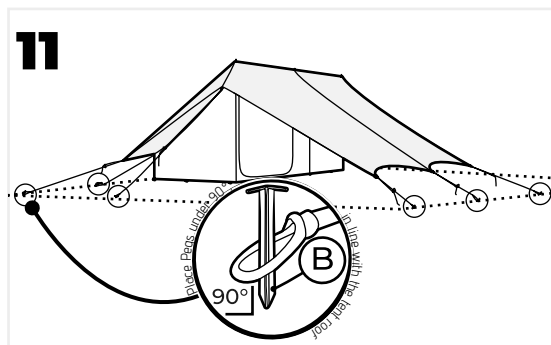
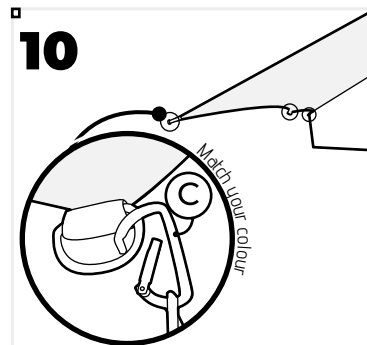
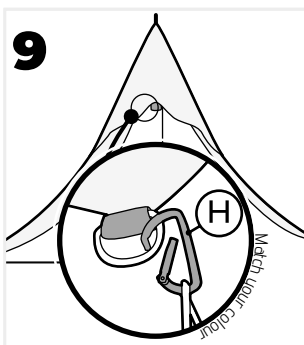
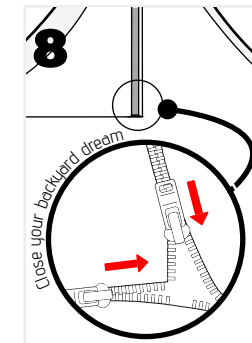
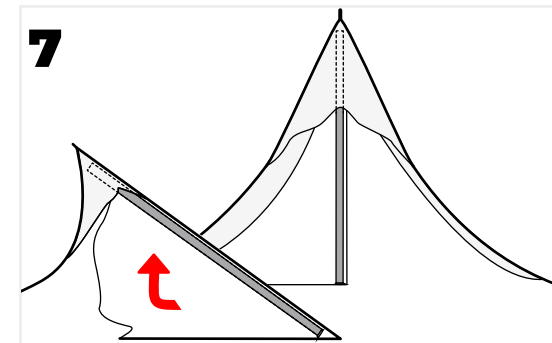
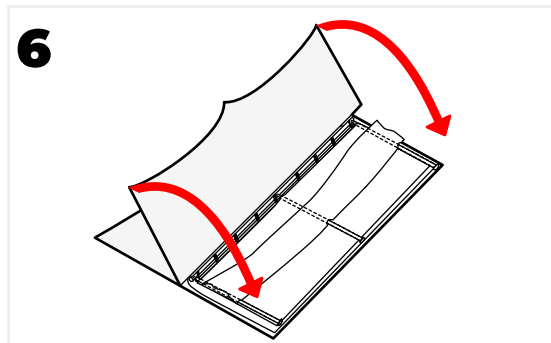
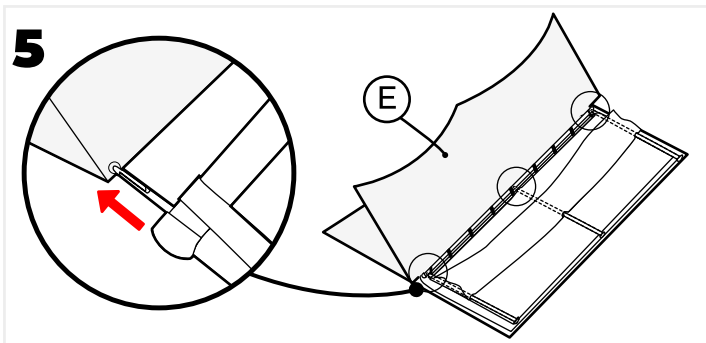
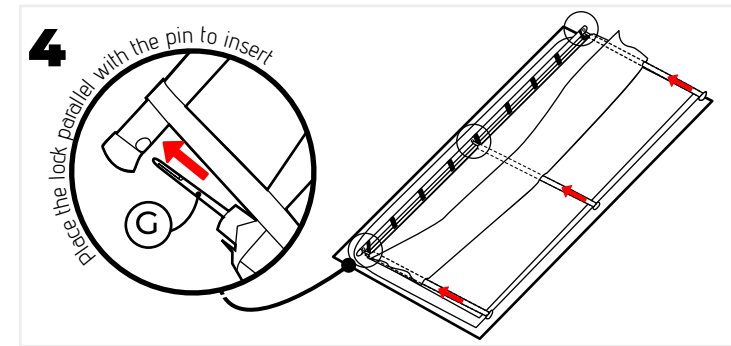
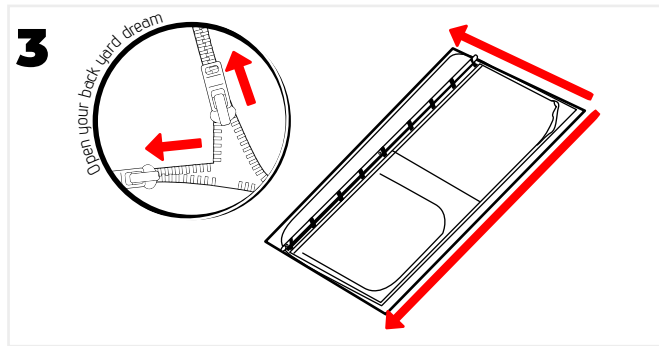
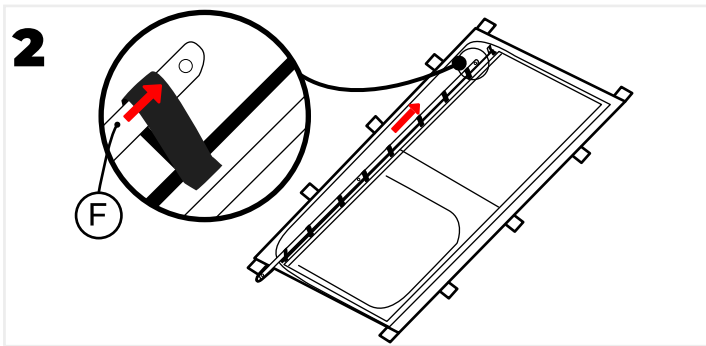
PACKING LIST TENT BAG 1/2

- A 1x TENT
- B 5x T-PEG
- C 5x CARABINER + GUYLINE
- D 12x PEG

PACKING LIST FLY BAG 2/2

- E 1x FLY
- F 1x RIDGE POLE
- G CENTER POLE
3x PATROL FLY 4x5
4x PATROL FLY 6x5
- B T-PEG
8x PATROL FLY 4x5
10x PATROL FLY 6x5
- C CARABINER + GUYLINE
6x PATROL FLY 4x5
8x PATROL FLY 6x5
- H 2x COLOURED CARABINER + GUYLINE
- I 1x HAMMER





1 a m



AUTENTIC

HOW TO TENSION

Do not over tension the guy-ropes.

They are tent ropes, no guitar strings.

It may hinder opening or closing the door

