

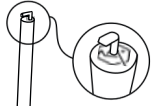


AUTENTIC

# SETUP INSTRUCTIONS

## WOODEN GUYPOLES

### PACKING LIST SHORT GUY POLES

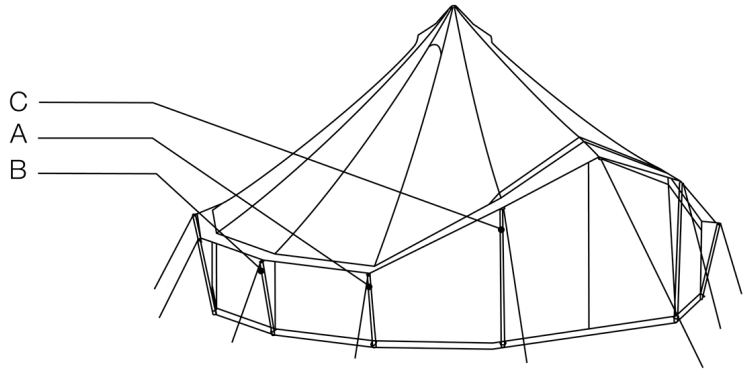


**A Short guypole with logo**  
2x Jay / Jack / Essential 4.4 / 5.2  
4x Billy-Joe

**B Short guypole without logo**  
8x Jay / Jack  
6x Billy-Joe  
10x Essential 4.4/5.2

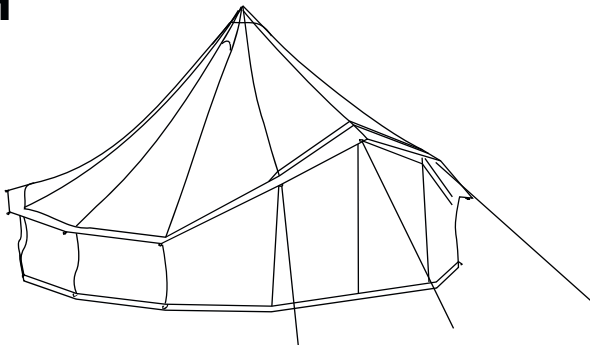
### PACKING LIST FRONT GUY POLES

**C Front guypole**  
2x Jay / Jack  
4x Billy-Joe



### PLEASE READ THIS CAREFULLY

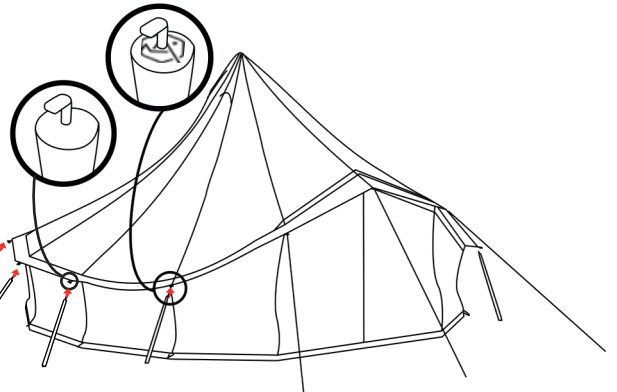
1



Short guypoles: Loosen the guylines with the champagne-coloured carabiners.

Front guypoles: Loosen the guylines with the orange-coloured carabiners.

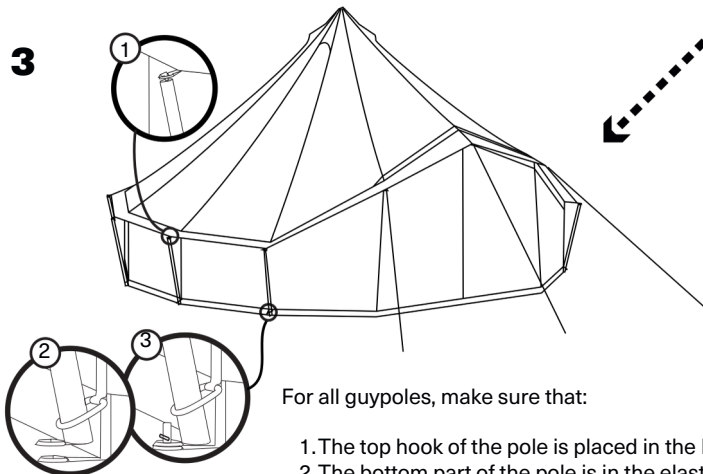
2



Short guypoles: Place the 2 short guypoles with logo (A) at the guypoints next to the door(s). Place the basic short guypoles (B) at the other guypoints around the tent.

Front guypoles: Place the 2 front guypoles (C) at the guypoints of the door(s).

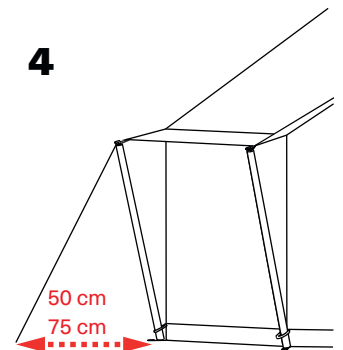
3



For all guypoles, make sure that:

1. The top hook of the pole is placed in the D-ring;
2. The bottom part of the pole is in the elastic;
3. The D-ring of the pole is anchored

4



Short guypoles: Attach the guylines to the tent and pitch them with a distance of 50 cm.

Front guypoles: Attach the guylines to the tent and pitch them with a distance of 75 cm.

Re-apply perfect tension on the guylines.

Always read the latest version of the manual with this QR code



Make sure to read the additional tips for maintenance and usage on [autentic.world](http://autentic.world)

